

Installation and Operation Manual

Downflo[®] II

DFT 2-8, 2-12, 2-16, 2-24, 2-36

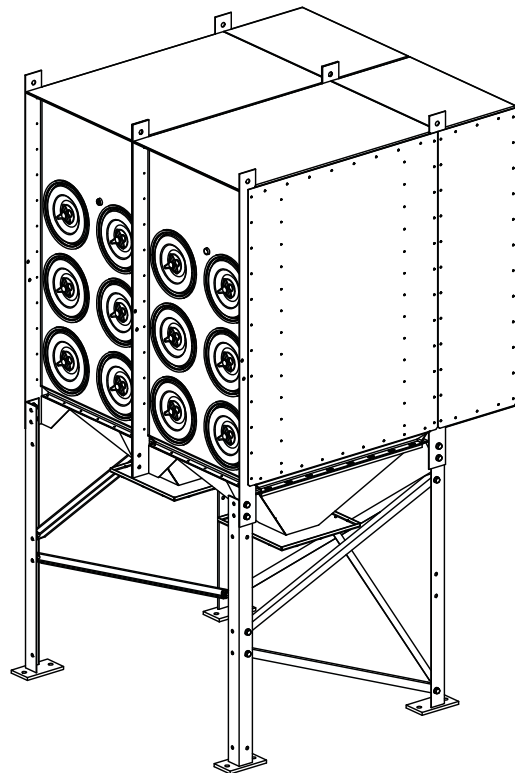
DFT 3-12, 3-24, 3-26, 3-48, 3-60, 3-72,

DFT 4-16, 4-32, 4-48, 4-64, 4-80, 4-96, 4-112, 4-128

Units Built After July 2003



Throughout this manual statements indicating precautions necessary to avoid equipment failure are referenced in a **Note**. Statements indicating potential hazards that could result in *personal injury* or *property damage* are referenced in a **CAUTION!** box.



This manual is property of the owner. Leave with the unit when set-up and start-up are complete. Donaldson Company reserves the right to change design and specifications without prior notice.



CAUTION!

Application of Dust Control Equipment

- Combustible materials such as buffing lint, paper, wood, aluminum or steel dust, weld fume, or flammable solvents represent fire or explosion hazards. Use special care when selecting and operating all dust or fume collection equipment when combustible materials are present to protect workers and property from damage due to fire and/or explosion. Consult and comply with National and Local Codes relating to fire or explosion and all other appropriate codes when determining the location and operation of dust or fume collection equipment.
- When combustible materials are present, consult with an installer of fire extinguishing systems familiar with these types of fire hazards and local fire codes for recommendations and installation of fire extinguishing and explosion protection systems. Donaldson Torit dust collection equipment is not equipped with fire extinguishing or explosion protection systems.
- DO NOT allow sparks, cigarettes or other burning objects to enter the hood or duct of any dust or fume control equipment as these may initiate a fire or explosion.
- For optimum collector performance, use only Donaldson Torit replacement parts.

Warning – Improper operation of a dust control system may contribute to conditions in the work area or facility that could result in severe personal injury and product or property damage. Check that all collection equipment is properly selected and sized for the intended use.

Data Sheet

| | |
|---------------------|-------------------------|
| Model Number _____ | Serial Number _____ |
| Ship Date _____ | Installation Date _____ |
| Customer Name _____ | |
| Address _____ | |
| | |
| Filter Type _____ | |
| Accessories _____ | |
| Other _____ | |

Contents

| | | | |
|--|----|---------------------------------------|----|
| Description | 4 | Filter Removal | 20 |
| Purpose and Intended Use | 4 | Filter Replacement | 22 |
| Rating and Specification Information | 5 | Dust Disposal | 22 |
| Operation | 6 | Compressed Air Components | 22 |
| Inspection on Arrival | 7 | Optional Equipment | 24 |
| Installation Codes and Procedures | 7 | Power Pack | 24 |
| Installation | 7 | Side Mount Power Pack | 26 |
| Site Selection, Grade-Mounted Units | 7 | 55-Gallon Drum Pack | 28 |
| Unit Location | 7 | Magnehelic® Gauge | 30 |
| Electrical Wiring | 8 | Photohelic® Gauge | 32 |
| Rigging Instructions | 8 | Delta P Control | 34 |
| Hoisting Information | 8 | Delta P Plus Control | 35 |
| Typical Installation | 9 | Transition and Rotary Valve | 36 |
| Standard Equipment | 10 | Damper and Silencer, TBI | 37 |
| Field Assembly | 10 | Plenum Silencer, TRB | 38 |
| Module Assembly | 11 | Abrasion-Resistant Inlet Collar | 38 |
| Yoke, Venturi, and Filter Installation | 12 | Platforms and Ladders | 39 |
| Hopper Installation | 13 | Cold Climate Kit | 40 |
| Leg Installation | 14 | Explosion Vents | 41 |
| Compressed Air Installation | 16 | Sprinkler Installation | 41 |
| Solid-State Timer Installation | 18 | Troubleshooting | 42 |
| Solenoid Connection | 18 | Service Notes | 46 |
| Timer and Solenoid Specifications | 18 | Warranty | 48 |
| Preliminary Start-Up | 20 | | |
| Service Information | 20 | | |
| Operational Checklist | 20 | | |
| Filter Installation and Replacement | 20 | | |

Magnehelic® and Photohelic® are registered trademarks of Dwyer Instruments, Inc.



This manual contains specific precautionary statements relative to worker safety. Read thoroughly and comply as directed. Discuss the use and application of this equipment with a Donaldson Torit representative. Instruct all personnel on safe use and maintenance procedures.

Description

The Downflo II dust collector is a continuous-duty, modular collector with cartridge-style filters. The downward airflow design delivers high filtration efficiency while using less energy. Continuous-duty means no downtime. The filters are pulse-cleaned in sequence, one set at a time, without turning the unit off. The modular design allows flexibility in system design and adapts easily to limited space areas. Each standard module is two or three filter rows wide by two, three, or four rows high by two filters deep.

Designed to increase the versatility of the unit, standard options include top or front inlets, filter access covers, Bag Out, cold climate kits, steep-slope ledge-free hoppers, trough hoppers, and stationary service platforms.

Purpose and Intended Use

Downflo II collectors are widely used on nuisance dust where the load to the collector is less than two grains per cubic foot. Some typical applications include abrasive blasting, grinding, mixing, blending, processing, pan coating, powder paint applications, sand handling, welding, and machining. Each application is different and selecting the correct filter cartridge for the application and type of dust collected is important.

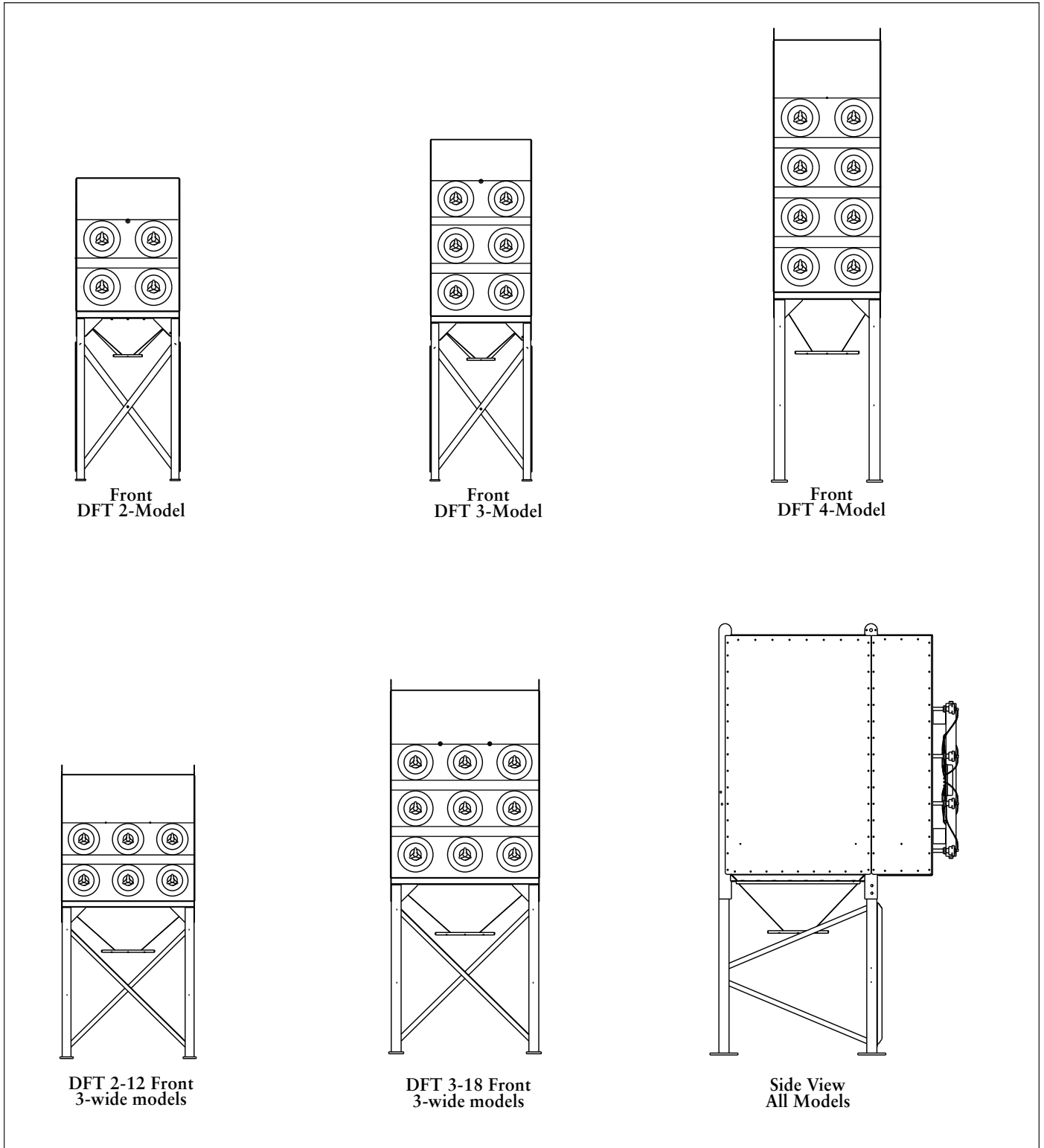
- For all ambient, extremely fine, and non-fibrous dust, use Ultra Web® filter cartridges which offer high efficiency and performance on fine particulate.
- For fibrous dust, use a cartridge with an open-pleat design, such as Fibra-Web®.
- Operations involving high temperature and high humidity may require special attention. Temperature, moisture content, and chemistry issues may require custom collector design. Appropriate cartridge options are available from Donaldson Torit.
- Hygroscopic dust such as fertilizer, salt, and sugar should be handled under a controlled, low humidity environment. Contact Donaldson Torit for filter cartridge selection.
- Flammable or explosive dust may require custom collector design options and special cartridges. Contact Donaldson Torit for design assistance.
- Applications with high hydrocarbon or high oil content may require special treatment or filter media.



CAUTION!

- Misuse or modification of this equipment may result in personal injury.
- Do not misuse or modify.

Rating and Specification Information



All Units (per IBC 2003 Specifications):

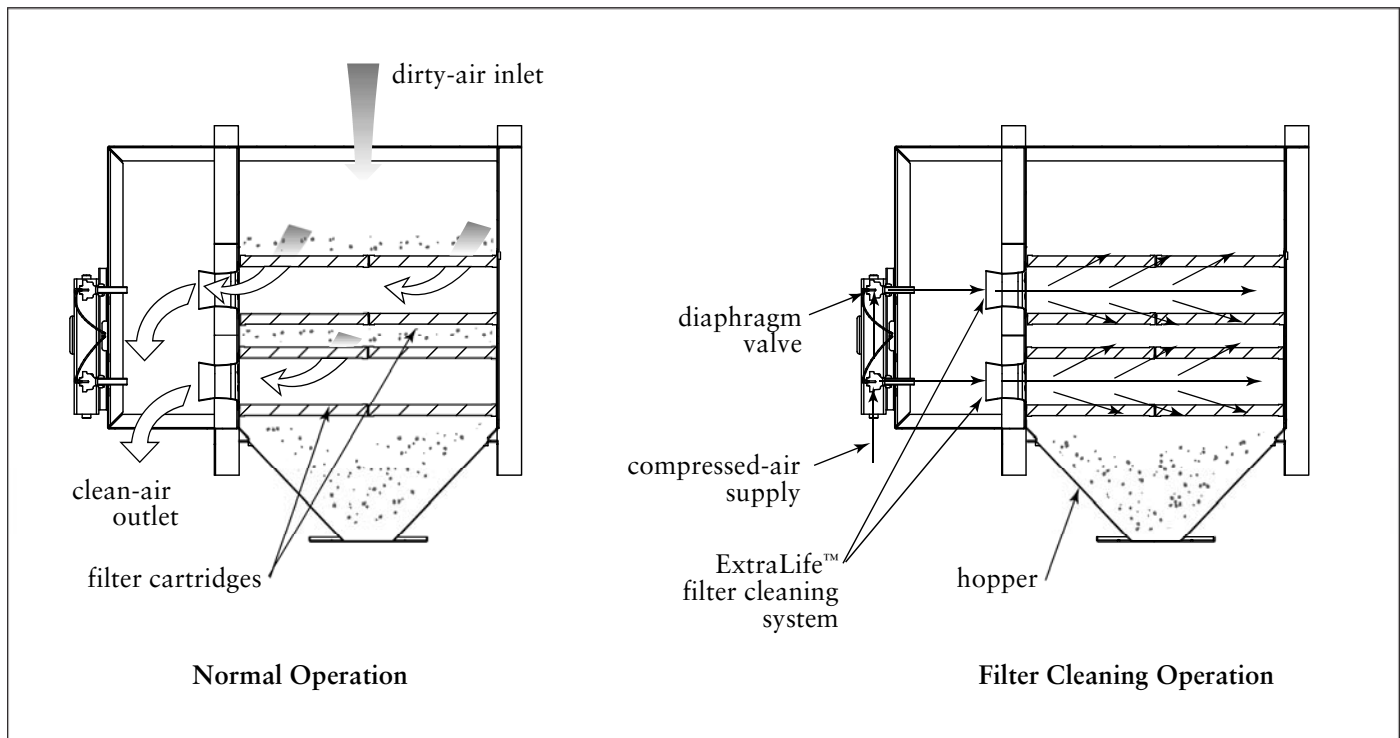
Wind 90 MPH Exposure C
 Seismic Spectral Acceleration, S_s 1.5
 Seismic Spectral Acceleration, S_1 0.6
 Importance Factor, 1 1.0

Ground Snow Load $P_g = 40$ PSF
 Compressed air, psi 90-100
 Housing rating, "wg +20
 Power, valves and controls 120-Volt AC, 50/60 Hz

Operation

During normal operation, dust-laden air enters the unit through the dirty-air inlet. Airflow is directed downward through the collector and heavier particulate falls directly into the hopper. The cartridges remove fine particulate and clean filtered air passes through the cartridges to the clean-air plenum and discharges through the clean-air outlet.

Filter cleaning is completed using pulse-jet technology. A solenoid and diaphragm valve aligned to each row of filters provides the pulse cleaning. The cleaning sequence starts at the top filter row and continues down through each row. Remove, inspect, or change the cartridges from outside the unit by removing the filter access cover and sliding the filters out.



Unit Operation



CAUTION!

- Combustible materials such as buffing lint, paper, wood, aluminum or steel dust, weld fume, and flammable solvents represent fire or explosion hazards.
- Use special care when selecting and operating all collection equipment when combustible materials are present to protect workers and property from damage due to fire and/or explosion.
- Consult and comply with all National and Local Codes relating to fire or explosion, and all other appropriate codes when determining the location and operation of dust collection equipment.
- Donaldson Torit equipment is *not* equipped with fire extinguishing or explosion protection systems.

Inspection on Arrival

1. Inspect unit on delivery.
2. Report any damage to the delivery carrier.
3. Request a written inspection report from the Claims Inspector to substantiate claim.
4. File claims with the delivery carrier.
5. Compare unit received with description of product ordered.
6. Report incomplete shipments to the delivery carrier and your Donaldson Torit representative.
7. Remove crates and shipping straps. Remove loose components and accessory packages before lifting unit from truck.

Installation Codes and Procedures



CAUTION!

OSHA may have requirements regarding recirculating filtered air in your facility. Consult with the appropriate local authorities to ensure compliance with all codes regarding recirculating filtered air.

1. Safe and efficient operation of the unit depends on proper installation.
2. Authorities with jurisdiction should be consulted before installing to verify local codes and installation procedures. In the absence of such codes, install unit according to the National Electric Code, NFPA No. 70-latest edition.
3. A qualified installation and service agent must complete installation and service of this equipment.

Installation

Site Selection, Grade-Mounted Units

1. The unit can be located on a reinforced concrete foundation or rooftop.
2. Wind, seismic zone, and other live-load conditions must be considered when selecting the location for rooftop-mounted units. Reference the Specification and Rating Information.
3. Provide clearance from heat sources and interference with utilities when selecting the location for grade-mounted units. Reference the Specification and Rating Information.
4. Portable units require no special installation accommodations.

Note: Units with explosion vents are not available in portable configurations.

Unit Location

1. When hazardous conditions or materials are present, consult with local authorities for the proper location of the collector.
2. Foundation or roof support must be sized to accommodate the entire weight of the unit, plus the weight of the collected material, piping, and ductwork. Reference the Specification and Rating Information.
3. Prepare the foundation in the selected location. Install anchor bolts to extend a minimum of 1 3/4-inches above foundation unless otherwise indicated on the Specification Control drawing.
4. Locate the collector to ensure the shortest and straightest inlet- and outlet-duct length, easy access to electrical and compressed-air connections, and routine maintenance.



CAUTION!

Donaldson Torit equipment is not designed to support site-installed ducts, interconnecting piping, or electrical services. All ducts, piping, or electrical services supplied by others must be adequately supported to prevent severe personal injury and/or property damage.

Electrical Wiring



CAUTION!

- Electrical installation must be performed by a qualified electrician and comply with all applicable national and local codes.
- Lock out electrical power sources before performing service or maintenance work.
- Do not install in classified hazardous atmospheres without an enclosure rated for the application.

1. All electrical wiring and connections, including electrical grounding, should be made in accordance with the National Electric Code, NFPA No. 70-latest edition.
2. Check local ordinances for additional requirements that apply.
3. The appropriate wiring schematic and electrical rating must be used. See unit's rating plate for required voltage.
4. If the unit is not furnished with a factory-mounted disconnect, an electric disconnect switch having adequate amp capacity shall be installed in accordance with Part IX, Article 430 of the National Electric Code, NFPA No. 70-latest edition. Check unit's rating plate for voltage and amperage ratings.
5. Refer to the wiring diagram for the number of wires required for main power wiring and remote wiring.

Rigging Instructions

Suggested Tools & Equipment

| | |
|------------------------|-----------------|
| Clevis Pins and Clamps | Lifting Slings |
| Crane or Forklift | Pipe Sealant |
| Drift Pins | Pipe Wrenches |
| Drill and Drill Bits | Screwdrivers |
| End Wrenches | Socket Wrenches |
| Large Crescent Wrench | Spreader Bars |

Hoisting Information

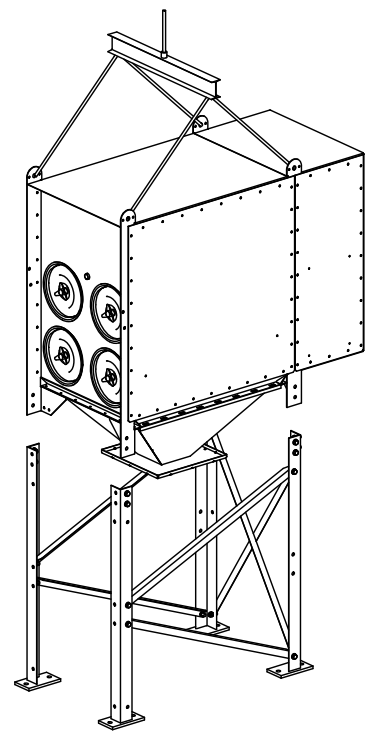
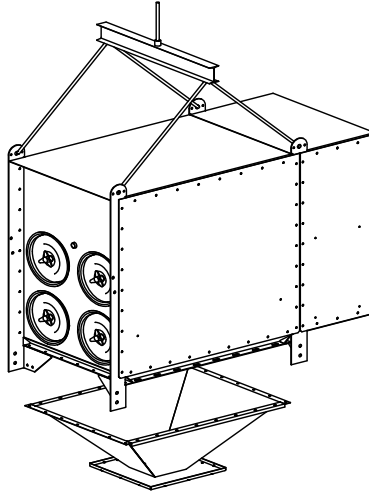
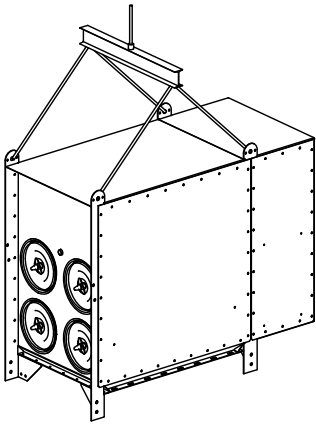
1. Use all lifting points provided.
2. Use clevis connectors, *not hooks*, on lifting slings.
3. Use spreader bars to prevent damage to unit's casing.
4. Check the Specification Control drawing for weight and dimensions of the unit, subassemblies, and components to ensure adequate crane capacity.
5. Allow only qualified crane operators to lift the equipment.
6. Refer to applicable OSHA regulations and local codes when using cranes, forklifts, and other lifting equipment.
7. Lift unit and accessories separately, and assemble after unit is in place.
8. Use drift pins to align holes in section flanges during assembly.



CAUTION!

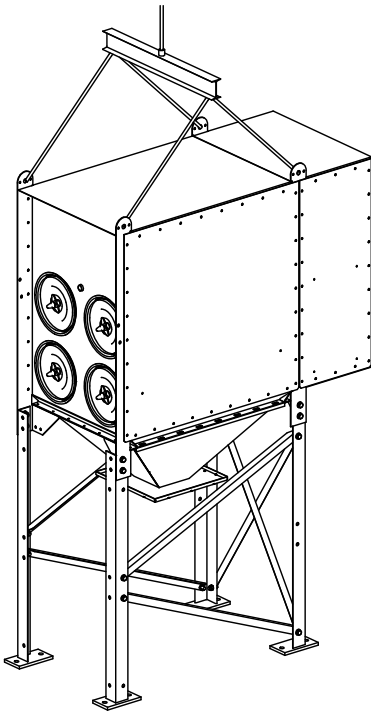
- Failure to lift the collector correctly can result in severe personal injury or property damage.
- Use appropriate lifting equipment and adopt all safety precautions needed for moving and handling the equipment.
- A crane or forklift is recommended for unloading, assembly, and installation of the collector.
- Location must be clear of all obstructions, such as utility lines or roof overhang.

Typical Installation

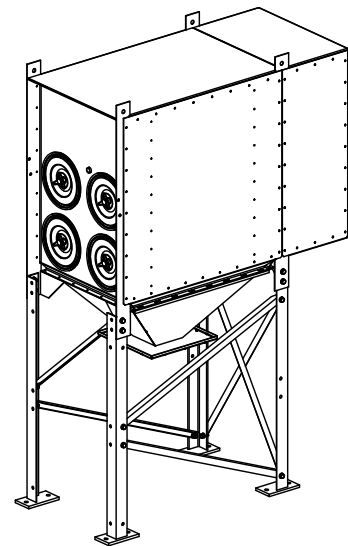


1. Stand hopper on the discharge end.
2. Apply sealant around the top flange of the hopper toward the inside edge of the bolt pattern.
3. Lift collector into position over the hopper and lower *slowly*.
4. Use drift pins to align holes and secure with hardware provided.

5. Assemble legs and cross braces.
6. Lift unit and hopper assembly into position over legs and lower *slowly*.
7. Fasten legs to unit and to foundation.



8. Lift assembled unit to location.
9. Support and level unit.
9. Tighten all hardware.
10. Remove crane.



Standard Equipment

Standard equipment consists of modules, inlet deflectors, yokes, filters, hoppers, and legs. Single-module through six-module units are delivered with the inlet deflectors, yokes, and filters factory installed.



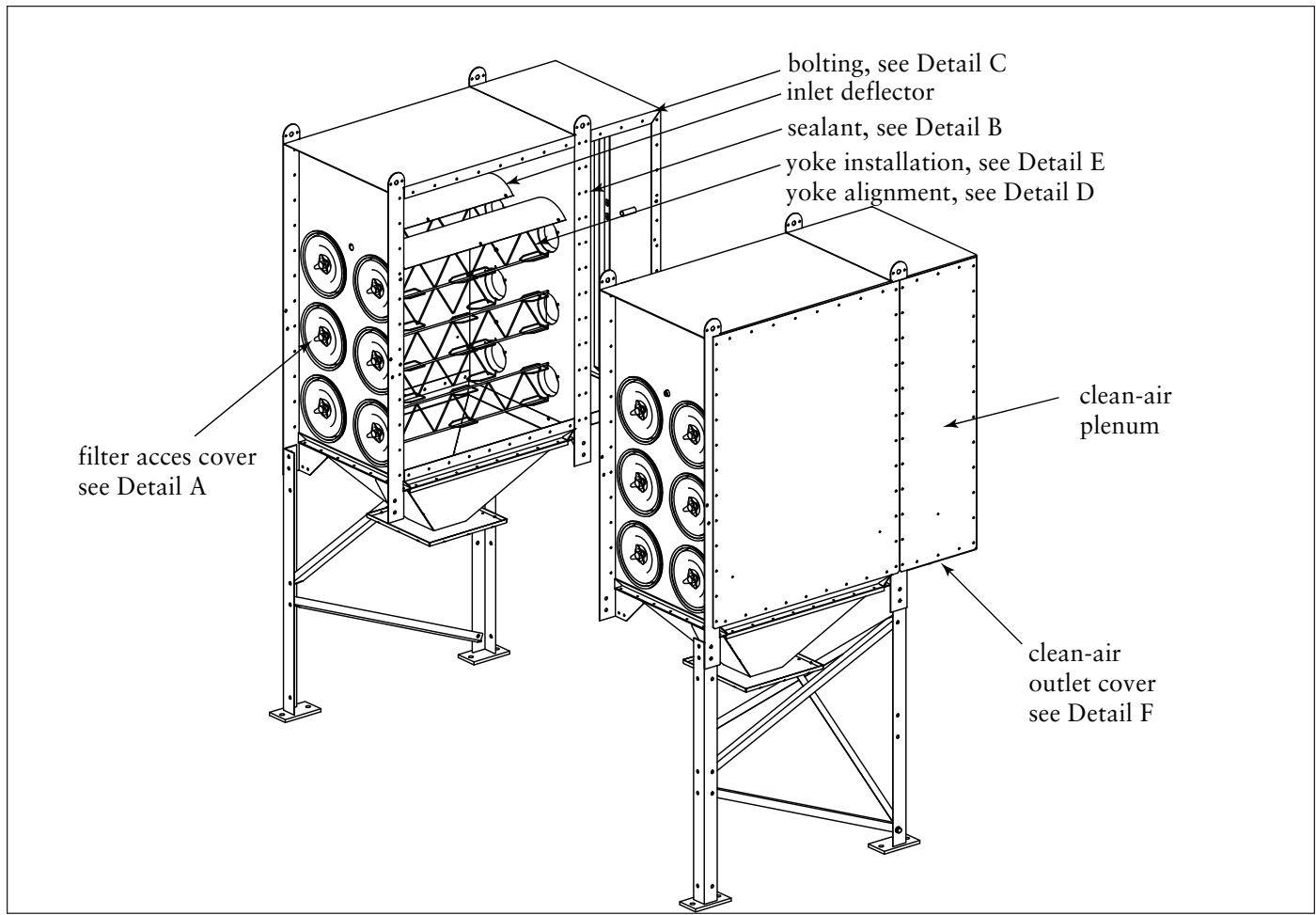
CAUTION!

- Failure to lift the collector correctly can result in severe personal injury or property damage.
- Use appropriate lifting equipment and adopt all safety precautions needed for moving and handling the equipment.

Field Assembly

Field assembly of modules may be required due to truck capacity, crane capacity, or specific customer requirements. A detailed instruction drawing, shipped with each module, provides specific assembly and lifting instructions.

If unit has been shipped with fully-assembled modules, skip to Hopper Installation.

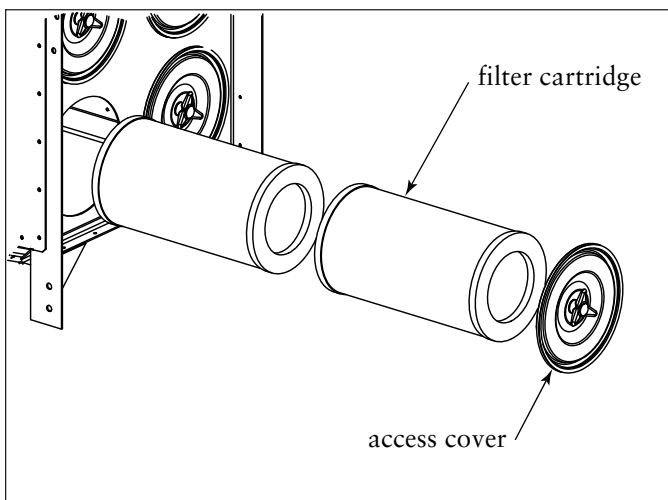


Module Assembly

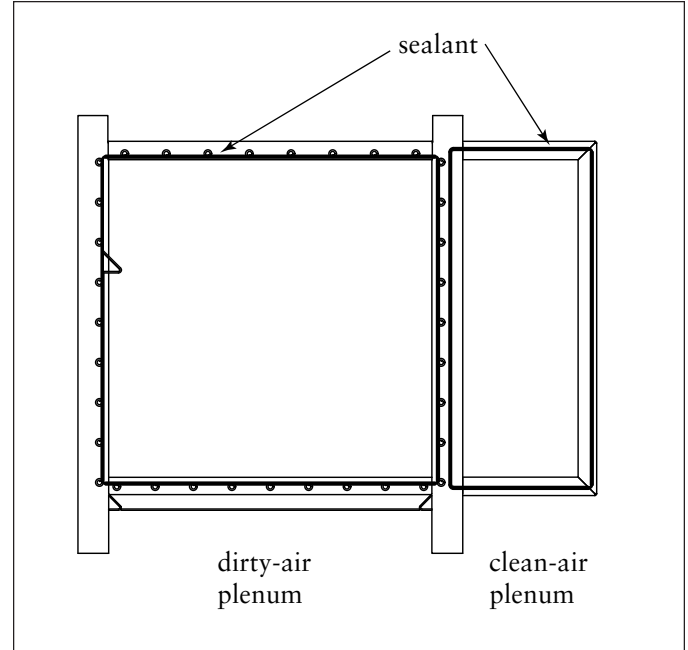
Module Assembly

Note: Two cranes are required to lift and assemble modules.

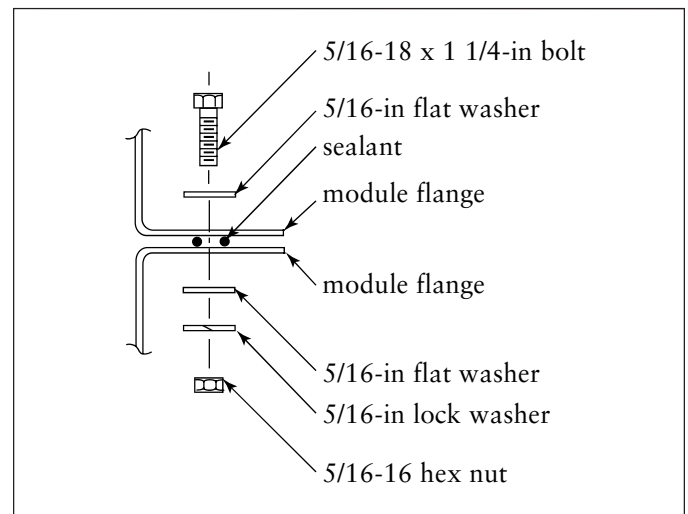
1. Remove the protective cover from the end of each module.
2. Remove one column of access covers, filters, venturis, yokes, and deflector panels from the joint-side of each module. See Detail A.
3. Remove outlet cover from the bottom of the clean-air plenum and set aside.
4. Apply a generous amount of sealant to one module to create an airtight seal between the clean and dirty-air chambers as shown in Detail B.
5. Lift both modules into position using two cranes.
6. Use drift pins to align the bolt holes in the mating flanges.
7. Bolt the modules together using 5/16-18 x 1 1/4-in bolts, washers, and nuts as shown Details B, and C. **Do not tighten hardware at this time.**
8. Check that all joints and flanges are flush and tighten hardware starting with the joint between the clean- and dirty-air plenums.



Detail A



Detail B



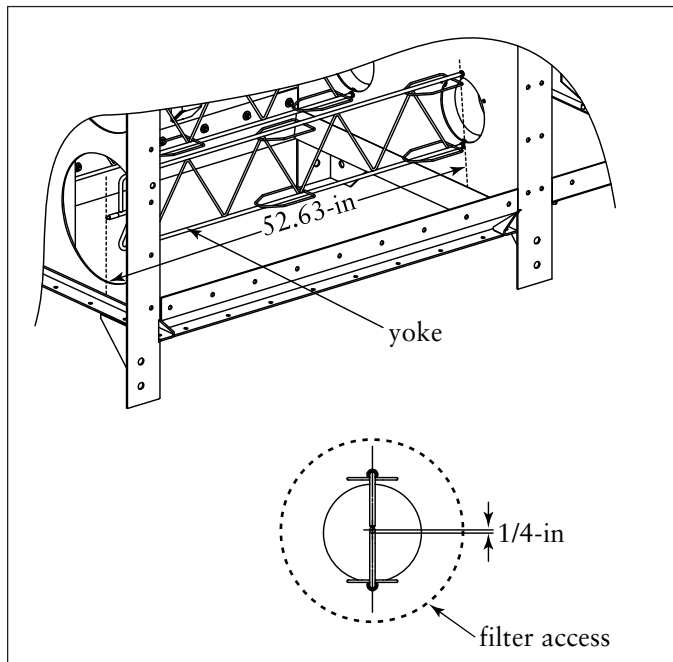
Detail C

Yoke, Venturi, and Filter Installation

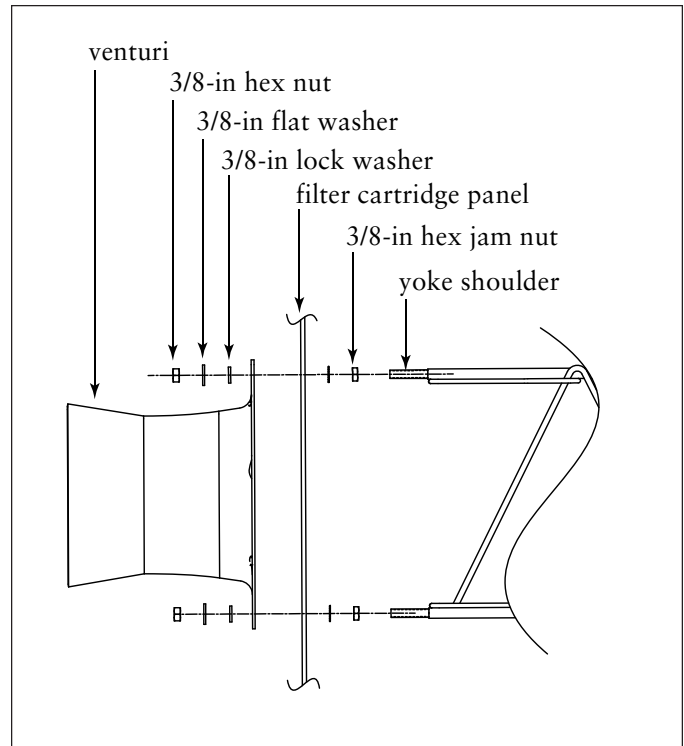
Notes: Installing yokes requires two people.

Place blocks under assembled modules during yoke and filter installation.

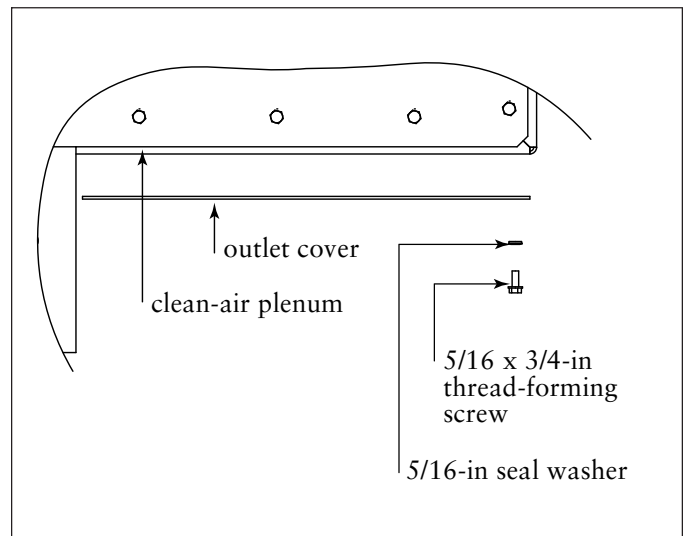
1. Thread a thin jam-nut on each of the yoke rod ends to the shoulder. See Detail D and E.
2. Start at the bottom access port and work upward. Position the yoke as shown in Detail D. From the filter section, have one person hold the yoke in position while another person installs the venturi and hardware from the clean-air plenum. See Detail E. *Do not tighten hardware at this time.*
3. Center the yoke from side-to-side horizontally and 1/4-in above center vertically. See Detail D. Adjust jam nut against the filter cartridge panel. Have one person hold the yoke in position while another person tightens the three hex nuts from the clean-air plenum. Repeat to install all yokes.
4. Slide the filter cartridge on the yoke gasket-end first. Replace access cover and tighten securely by hand. Repeat for all filter cartridges.
5. Replace the outlet cover on the bottom of the clean-air plenum. See Detail F.



Detail D



Detail E



Detail F

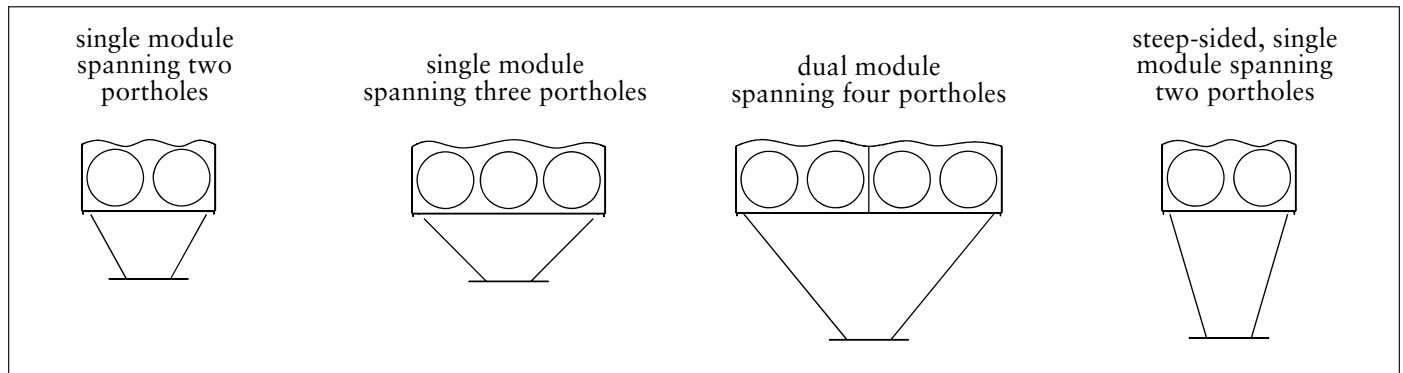
Hopper Installation

There are four ledge-free hopper styles offered for the Downflo II. A single-module wide that spans two portholes; a single-module wide that spans three portholes; a taller, steeper, single-module wide module which spans two portholes, and a double-module wide spanning four portholes. All styles transition to a single, 10-inch square discharge.

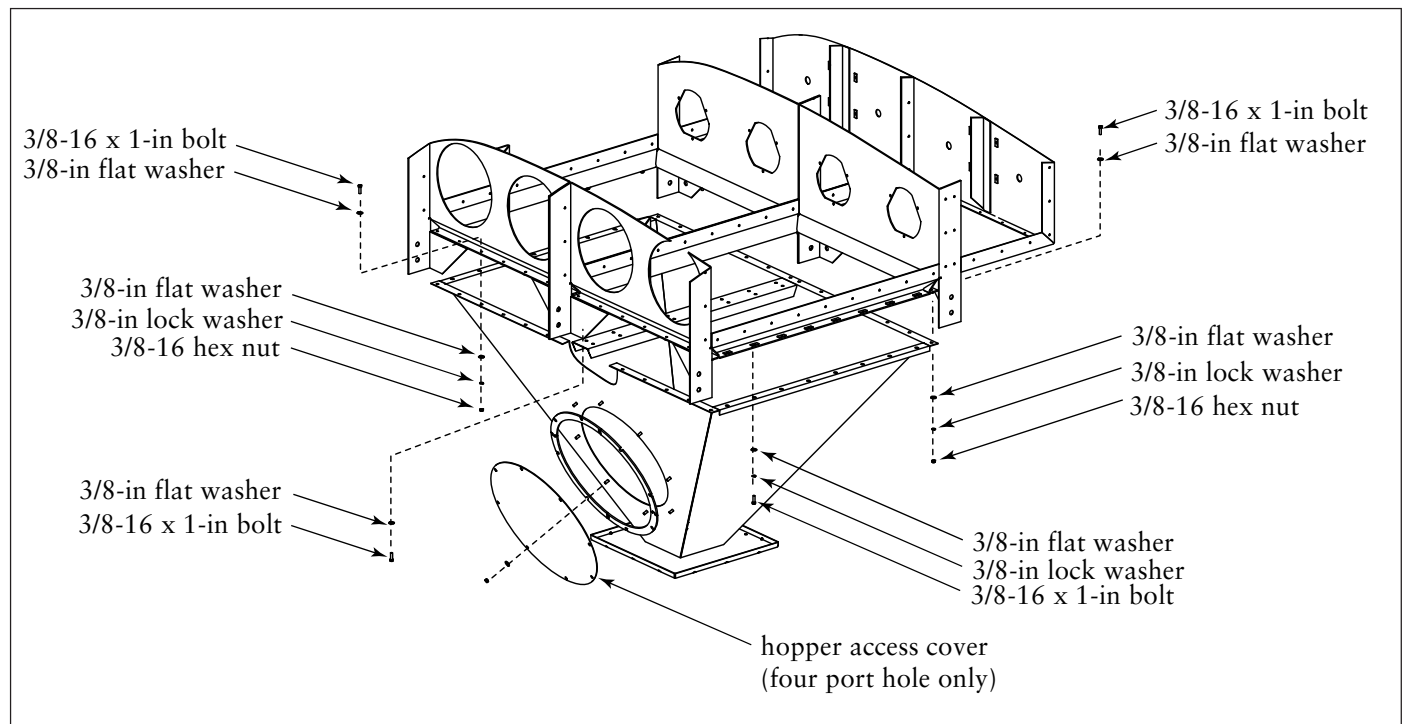
1. Stand the hopper on the discharge end.

Note: Remove hopper access covers on double module hoppers if necessary.

2. Apply sealant around the hoppers top flange toward the inside of the bolt pattern.
3. Lift the collector and position over the hopper and lower *slowly*.
4. Use drift pins to align holes.
5. Secure collector to hopper using 3/8-16 x 1 1/4-in bolts, flat washers, and nuts. Tighten all hardware securely.
6. Replace all access covers and tighten securely.



Hopper Styles

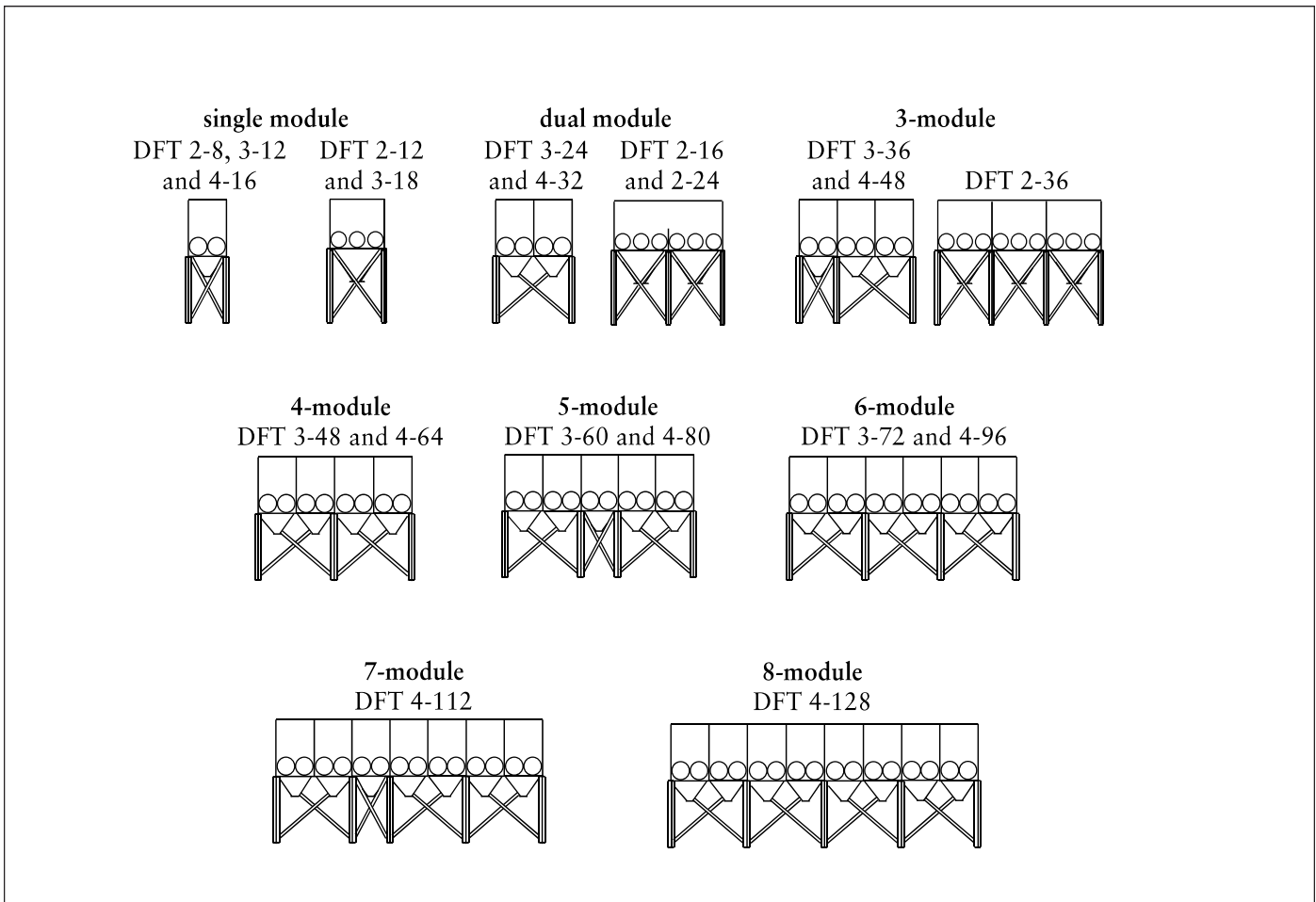


Hopper Installation

Leg Installation

Leg sets are designed for standard height collectors and are rated as shown in the Rating and Specification Information. Reference the drawing shown below and the leg assembly drawing shipped with the leg set for proper location and assembly.

1. Position and assemble legs and cross braces as shown in Leg and Cross Brace Assembly.
2. Lift the cabinet and hopper assembly into position over the legs and lower *slowly*.
3. Use drift pins to align the holes in the collector with the holes in the legs. Attach each leg with the hardware supplied. ***Do not tighten hardware at this time.***
4. Use drift pins to align the holes in the cross braces to the back of the leg set. Attach using the hardware supplied. ***Do not tighten hardware at this time.***

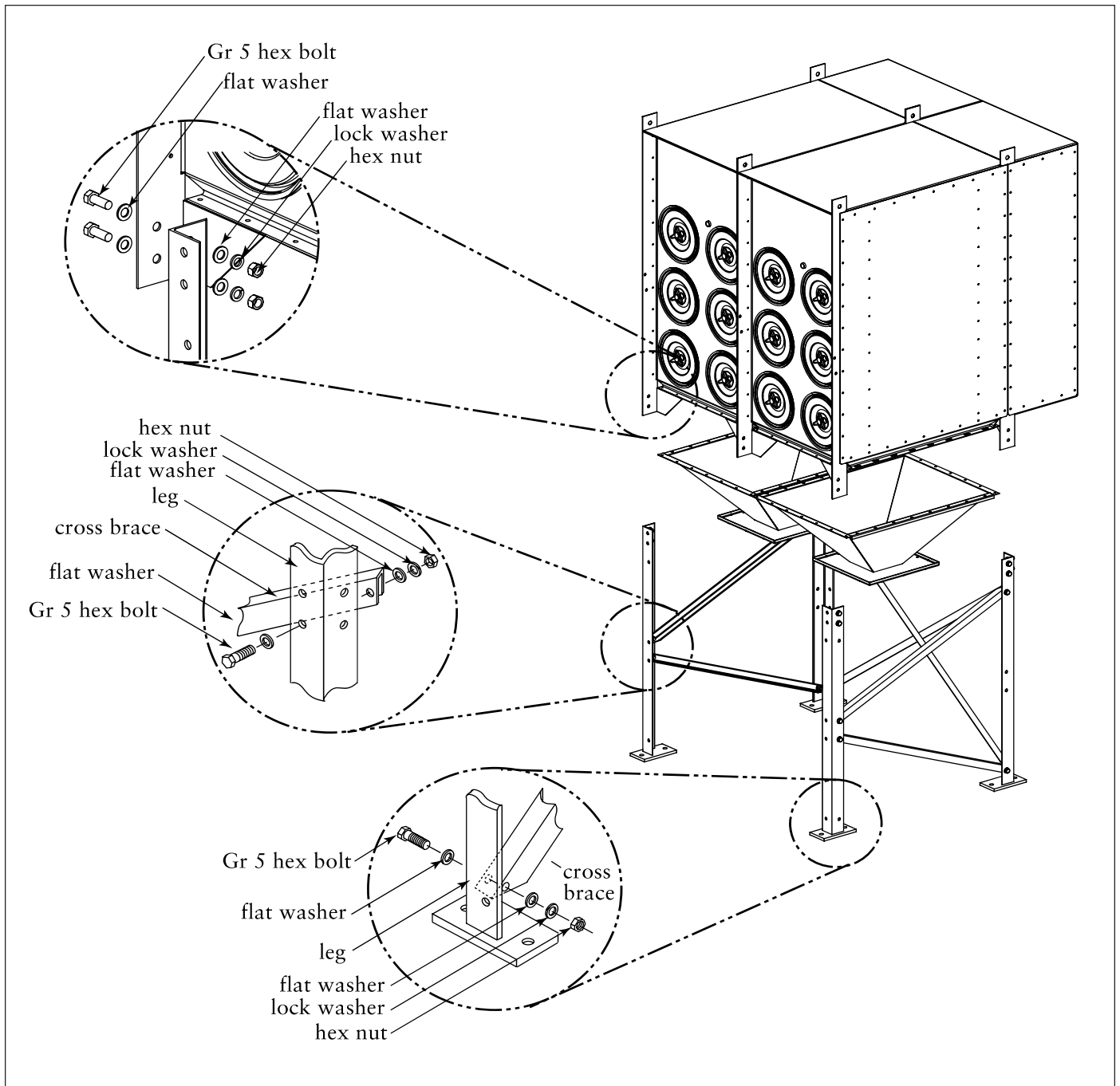


Leg Positioning

5. Recheck the position of the leg sets and cross braces.
6. Using a crane, lift the assembled unit onto the anchor bolts. Fasten each leg pad to the anchor bolts using flat washers, lock washers, and hex nuts provided by others. *Do not tighten hardware at this time.*
7. Level unit. Tighten all hardware on legs, cross braces, and foundation anchors.
8. Remove crane.



CAUTION
Tighten all leg and cross brace hardware before removing crane.



Leg and Cross Brace Assembly

Compressed Air Installation

1. Remove the plastic pipe plug from the unit's air manifold and connect the compressed-air supply line. Use thread-sealing tape or pipe sealant on all compressed-air connections.
2. Install a customer-supplied shut-off valve, bleed-type regulator with gauge, filter, and automatic condensate valve in the compressed-air supply line.

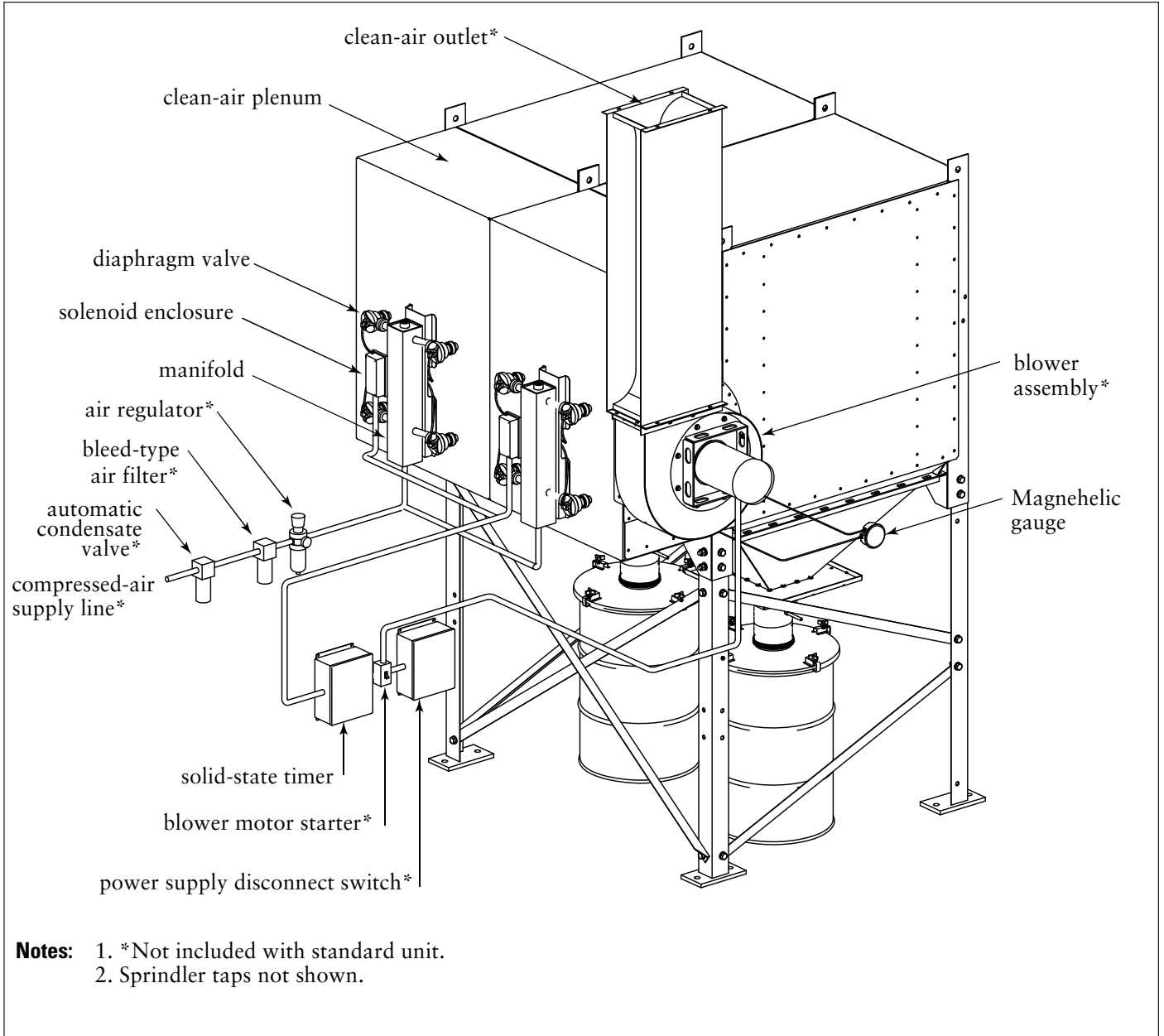
Note: All compressed-air components must be sized to meet the maximum system requirements of 10 to 20 scfm (depending on size of unit) at 90-psi supply pressure. See Specification Control Drawing shipped with unit.

Do not increase supply pressure above 100-psi. Component damage can result.



CAUTION!

- The compressed-air supply must be oil and moisture free. Contamination in the compressed air used to clean filters will result in poor cleaning, cleaning valve failure or poor collector performance.
- Purge compressed-air lines to remove debris before connecting to the unit's compressed-air manifold.
- Turn compressed-air supply OFF and bleed lines before performing service or maintenance work.



Compressed Air and Component Installation

Solid-State Timer Installation



CAUTION!

- Electrical installation must be performed by a qualified electrician and comply with all applicable national and local codes.
- Turn power OFF during installation or maintenance.
- Do not install in classified hazardous atmospheres without an enclosure rated for the application.

The solid-state timer is an electronic timer used to control the filter cleaning system. Available options include 3, 6, 10, 20, and 32-pin solenoid valve control.

Note: The solid-state timer requires a 105 to 135-Volt customer-supplied power supply.

Do not mount the solid-state timer on the unit. Mechanical vibration can damage the control.

1. Using the wiring diagram supplied, wire the fan motor, fan-motor starter, solid-state timer, and solenoid valves. Use appropriate wire gauge for rated amp load as specified by local codes.
2. Plug the program lug into the pin that corresponds with the number of solenoid valves controlled.
3. With power supply ON, check the operation of the solenoid valves. The valves should open and close sequentially at factory set 10-second intervals.
4. If a Photohelic gauge or similar device is used to control the solid-state timer and the jumper on the pressure switch portion of the timer is removed, the solenoid valves pulse only when the differential pressure reaches the high-pressure setpoint. The valves continue to pulse until the low-pressure setpoint is reached.

Solenoid Connection

The unit is equipped with 115-Volt solenoid valves that control the pulse-cleaning valves, which clean the filters.

One of three types of solenoid enclosures, the weatherproof NEMA 4 with 3D2 solenoids, the explosion proof NEMA 7 with 5D2 solenoids, or the explosion proof NEMA 9 with 5D2 solenoids, is mounted near or on the unit's compressed-air manifold.

Wire the solenoids to the solid-state timer following the wiring diagram supplied with the unit. Filter life and cleaning operation will be affected if not wired correctly.

Timer and Solenoid Specifications

Power to the solid-state timer is supplied to Terminals L1 and L2, which operate in parallel with the fan starter's low-voltage coil. On fan start-up, power is supplied to the timer and the preset OFF time is initiated. At the end of the OFF time, the timer energizes the corresponding solenoid valve to provide the ON time cleaning pulse for one diaphragm valve and then steps to the next until all filters have been cleaned.

To pulse when the fan is OFF, install a toggle switch as shown on the Solid-State Timer Wiring Diagram. When the toggle switch is ON, the timer receives power and energizes the solenoid valves' pulse-cleaning operation even though the fan is turned OFF.

Input

105-135V/50-60Hz/1Ph

Output Solenoids

The load is carried and turned ON and OFF by the 200 watt maximum-load-per-output solid-state switch.

Pulse ON Time

Factory set at 100-milliseconds, or 1/10-second.

Note: *Do not* adjust pulse ON time unless the proper test equipment is available. Too much or too little ON time can cause shortened filter life.

Pulse OFF Time

Factory set at 10-seconds, adjustable from 1.5-sec minimum to maximum 30-seconds.

Operating Temperature Range

-20° F to 130° F

Transient Voltage Protection

50 kW transient volts for 20-millisecond duration once every 20 seconds, 1% duty cycle.

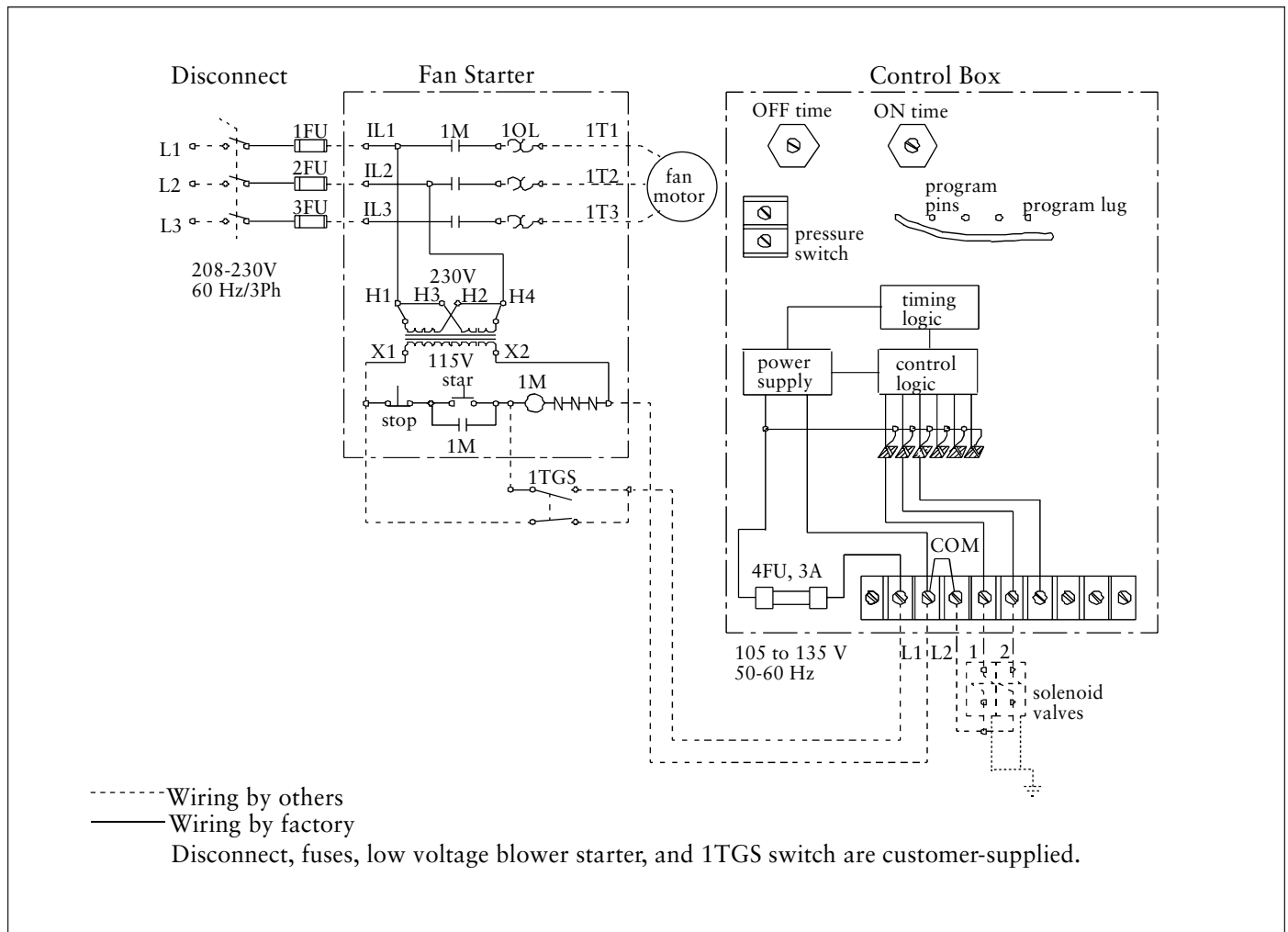
Solenoid Valves

115-Volt at 19.7 watts each

Compressed-Air

Set compressed-air supply at 90-psig. The timer is factory set to clean one filter or set of filters every 10-seconds.

Note: *Do not* set compressed-air pressure above 100-psig. Component damage will occur.



Solid-State Timer Wiring Diagram

Preliminary Start-Up

1. Check all electrical connections for tightness and contact.
2. Check for and remove all loose items in or near the inlet and outlet of the unit.
3. Check that all remote controls are wired into the control system and all service switches are in the OFF position.
4. Check that all optional accessories are installed properly and secured.
5. Check that hopper discharge is open and the storage container is sealed, if equipped. Excess airflow to the fan will cause electrical failure.
6. Turn power ON at source.
7. Turn the compressed-air supply ON. Adjust pressure regulator for 90 to 100-psig.
8. Turn the fan motor ON then OFF to check for proper rotation by referencing the rotation arrow located on the motor's mounting plate.

To reverse rotation, single-phase power supply:

Follow manufacturer's instructions on the motor's nameplate.

To reverse rotation, three-phase power supply:

Turn electrical power OFF at source and switch any two leads on the output-side of the fan-motor starter.

9. Adjust the fan for proper airflow by adjusting the volume control damper on the fan discharge and silencer, if equipped.

Note: Excess airflow can shorten filter life, cause electrical system failure, and fan motor failure.

Service Information

Operational Checklist

1. Monitor overall performance of the collector.
2. Monitor exhaust.
3. Monitor pressure drop across filters.
4. Monitor dust disposal.

Filter Installation and Replacement

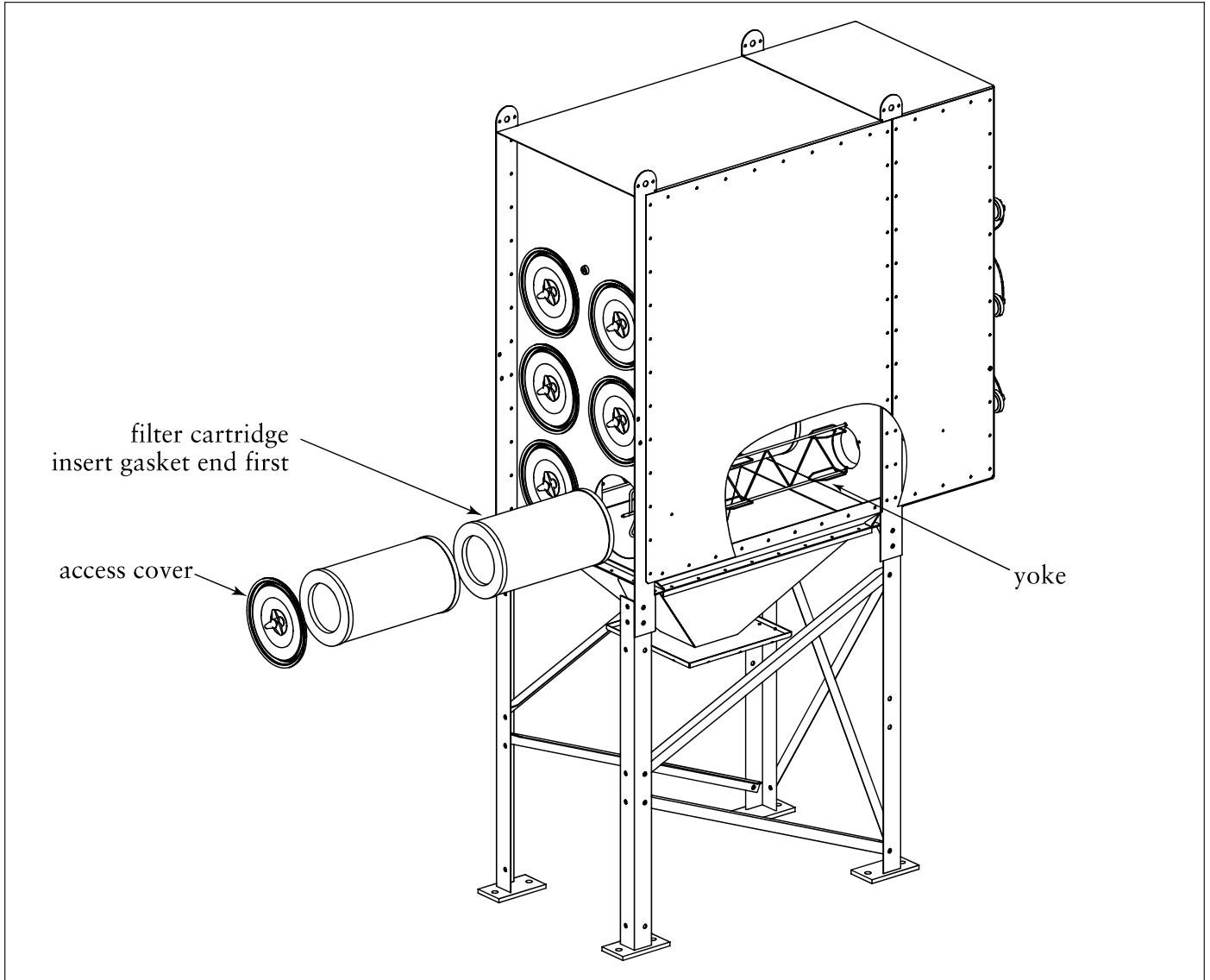


CAUTION!

- Use proper safety and protective equipment when removing contaminants and filters.
- Dirty filters may be heavier than they appear.
- Use care when removing filters to avoid personal injury.
- Do not drop filters.

Filter Removal

1. Turn power to unit OFF.
2. Start at the top access port.
3. Remove access cover by turning knob counterclockwise.
4. Break the seal between the filter cartridge and the sealing surface.
5. Slowly rotate the cartridge 1/2-turn to remove dust that may have accumulated on the top of the filter.
6. Slide the filter out the access port along the suspension yoke and dispose of properly.
7. Clean the sealing surface with damp cloth.
Note: Clean dust from gasket sealing area to ensure a positive filter gasket seal.
8. Check for an accumulation of dust in the storage area and empty as necessary.



Filter Replacement

Filter Replacement

Note: Place filter part number label (supplied with each replacement filter) over the filter part number listed on the unit's rating plate.

1. Slide the new filter cartridge onto each suspension yoke.

Note: Insert the filter, gasket end first.

2. Wipe cover gaskets clean and replace covers by turning the knob clockwise. Tighten securely by hand.

Note: Tighten access covers securely by hand. Gaskets must be compressed to seal properly.

3. Turn electrical power and compressed air supply ON before starting unit.

Dust Disposal

1. Turn unit OFF and empty dust container as necessary to minimize dust in the hopper.
2. If the optional 55-gallon drum attachment is used, empty when drum is 2/3 full.
3. If optional slide gate is used, close gate before servicing drum.
4. Reinstall drum and open gate.

Compressed Air Components

1. Periodically check the compressed air components and replace compressed-air filters.
2. Drain moisture following the manufacturer's instructions.
3. With the compressed-air supply ON, check the cleaning valves, solenoid valves, and tubing for leaks. Replace as necessary.



CAUTION!

- The compressed-air supply must be oil and moisture free. Contamination in the compressed air used to clean filters will result in poor cleaning, cleaning valve failure or poor collector performance.
- Purge compressed-air lines to remove debris before connecting to the unit's compressed-air manifold.
- Turn compressed-air supply OFF and bleed lines before performing service or maintenance work.

This Page Intentionally Left Blank

Optional Equipment

Power Pack

The two types of power packs, Torit Backward Incline, TBI, and Torit Radial Blade, TRB, are installed following the same procedure. Both power packs are designed to fit on the top or side of the Downflo II.

Note: The use of a damper is required to control airflow through unit. Lack of a control damper will shorten filter life.

1. The power packs are shipped assembled and partial disassembly is required before installing.
2. Mark the motor mount location on the housing before removing motor assembly on 30 Hp, 60 Hz and 20 and 30 Hp, 50 Hz units. It is not necessary to mark location on other motors. Remove eight motor-mount bracket fasteners and remove the motor, motor-mount bracket, and fan wheel as an assembly as shown.
3. Turn housing over and apply sealant to the outside edge of the bolt pattern on the fan housing. Mount the fan housing to the collector using the fasteners supplied.

Notes: For a top-mounted TBI, or a TRB with a blast-gate style damper, install a spacer ring between the fan housing and the collector to provide the necessary clearance for the damper installation.

For top-mount TBI with explosion vent, install the spacer spool between the blower housing and the collector to provide the necessary clearance for explosion vent and weather dome. Position of the blower fan housing should not restrict explosion vent opening.

4. Apply sealant to the outside edge of the bolt pattern on the fan housing. Reinstall the motor, bracket, and fan wheel assembly. Align motor mount bracket to the mark on the housing on 30 Hp, 60 Hz and 20 and 30 Hp, 50 Hz units. Other motor sizes do not require alignment, but consider the electrical connection location.

5. Rotate fan wheel after installation to ensure proper clearance between the inlet cone and the fan wheel.



CAUTION!

BEFORE INITIAL OPERATION:

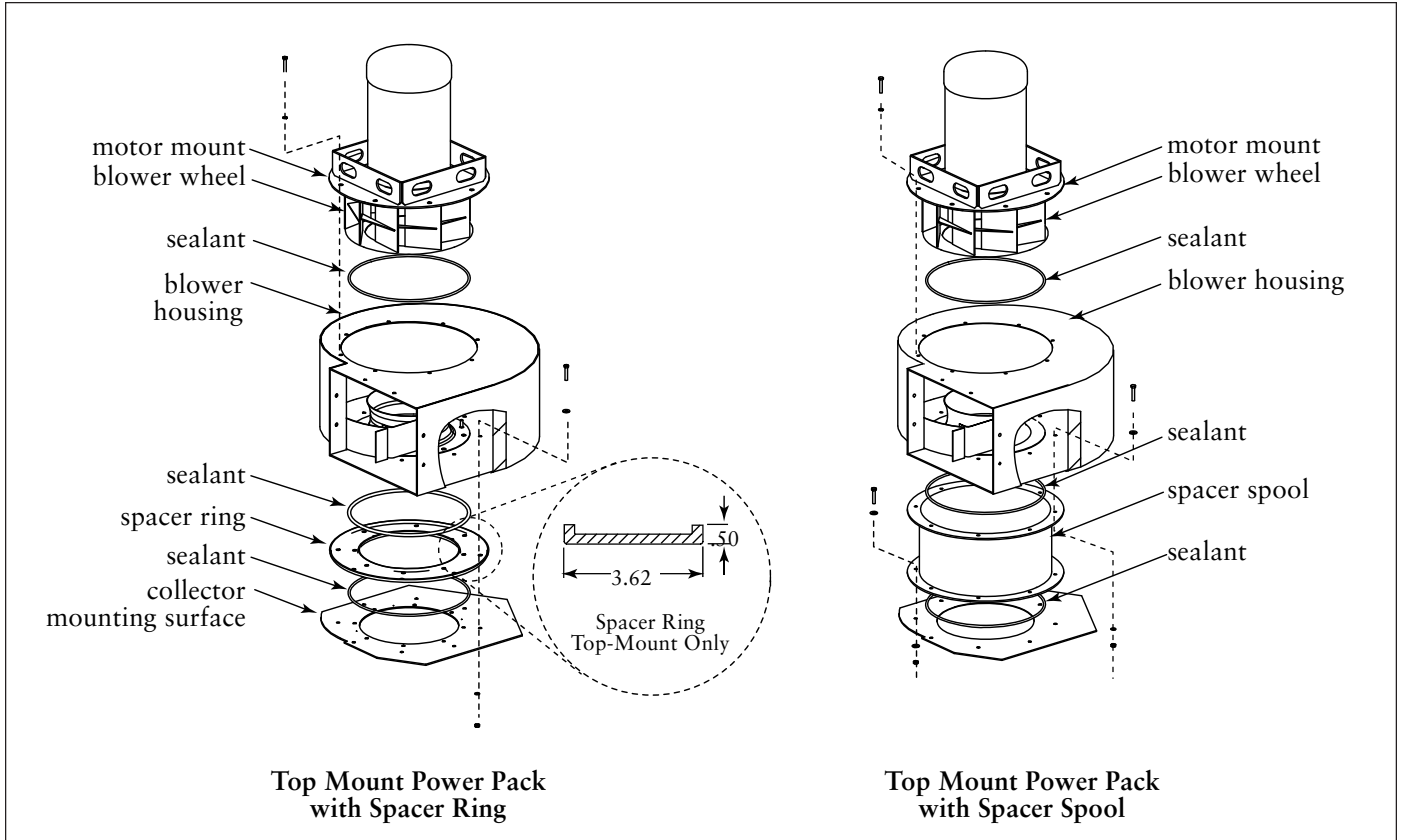
- Tighten all set screws in fan wheel.*
- Tighten all set screws in bearings.*
- Repeat after 8 hours of operation.
- Repeat again after two weeks of operation.

Reference Wheel Setscrew Torque Table below.

| Setscrew Size Diameter | Carbon Steel Setscrew Torque* | |
|---------------------------|----------------------------------|-----------|
| | Lb. - In. | Lb. - Ft. |
| 1/4 | 75 | 6.2 |
| 5/16 | 144 | 12 |
| 3/8 | 252 | 21 |
| 7/16 | 396 | 33 |
| 1/2 | 600 | 50 |
| 5/8 | 1164 | 97 |
| 3/4 | 2016 | 168 |
| 7/8 | 3204 | 267 |
| 1 | 4800 | 400 |

* Stainless steel setscrews are not hardened and should not be tightened to more than half of the values shown.

Wheel Setscrew Torque



Power Pack, TBI with Spacer Ring and TBI with Spacer Spool for Explosion Vented Units

Side-Mount Power Pack for Units Built After July 2003



CAUTION!

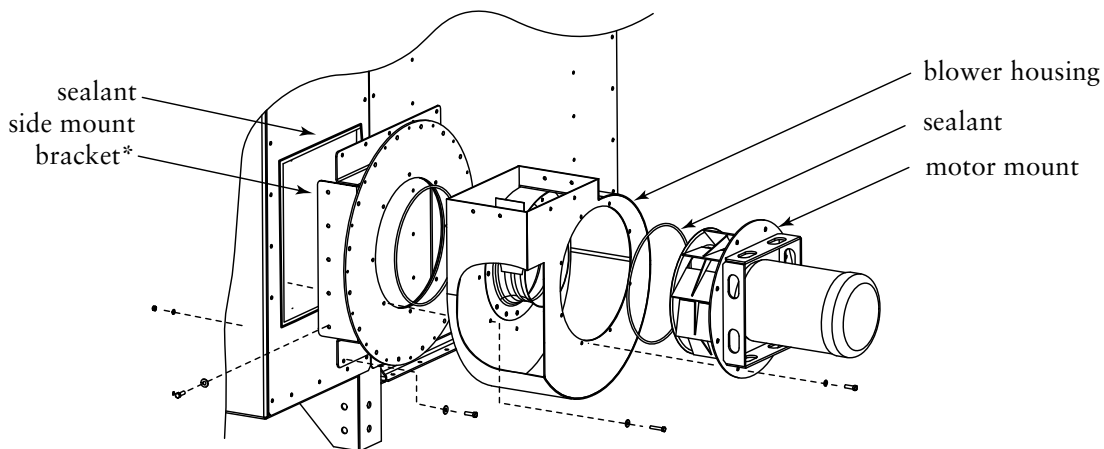
- Side mounting a power pack requires side power adapter to support the weight of the power pack.
- Poorly installed power packs may not stay properly attached to the collector resulting in personal injury and damage to equipment or property.

1. Disconnect power supply.
2. Apply 1/4-in diameter rope-type sealant to the outside surface of the power adapter between the fan mount bolt holes and the round fan inlet hole.
3. Install the fan housing to the power adapter using 3/8 x 1 1/4-in bolts, flat washers, and hex nuts.

Note: Install bolts with the bolt head in the fan housing and the threaded end in the power adapter.

4. Install the motor and blower assembly to the fan housing using the original hardware and caulk sealant.
5. Connect power supply to the motor. Turn the fan motor ON then OFF to check motor rotation by referencing the rotation arrow on the blower.

Note: To change rotation on three phase units, turn power supply OFF and switch any two leads on the output side of the fan motor starter.



*usually factory installed

Side-Mount Power Pack

This Page Intentionally Left Blank

55-Gallon Drum Pack

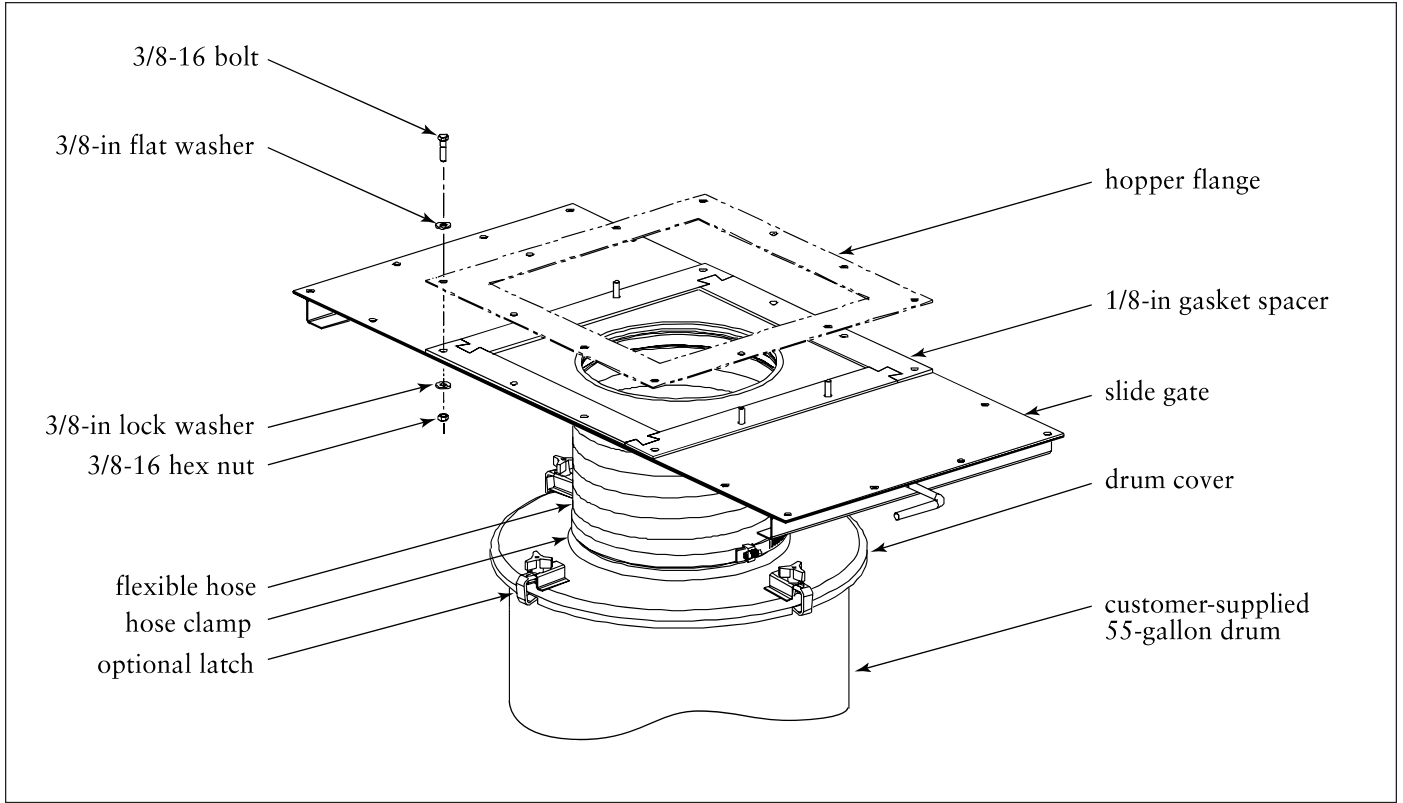
The drum pack is designed to fit a customer-supplied, standard 55-gallon drum and provides easy access for dust removal and disposal. A flexible hose connects the drum cover and slide gate, or drum cover and adapter. Placing a pallet under the drum allows heavier product to be moved quickly using a forklift or pallet jack. If a pallet is used, the length of flexible hose may need to be shortened.

With Slide Gate

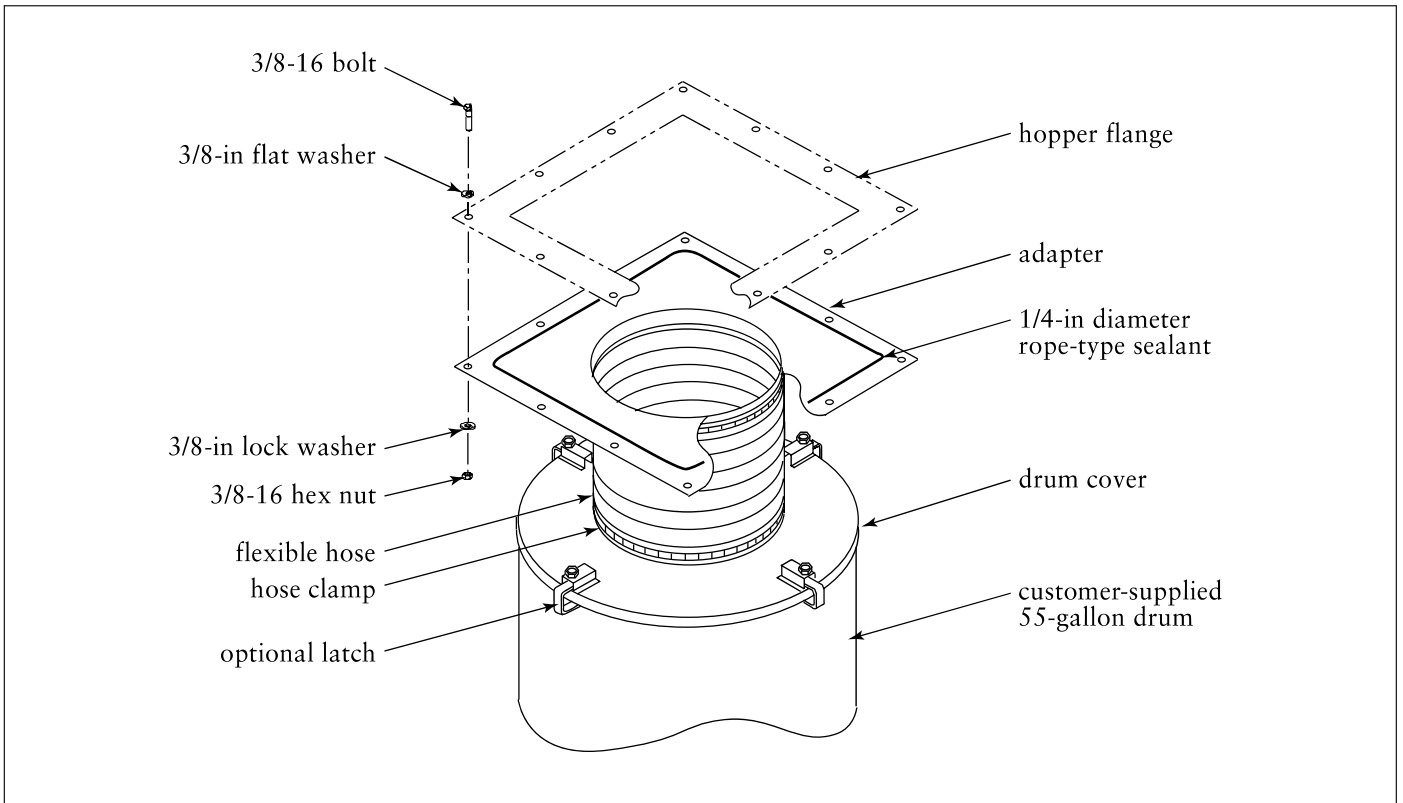
1. Place the 1/8-in gasket spacer between the hopper flange and slide gate as shown.
2. Attach the drum pack and slide gate to the hopper flange using 3/8-16 bolts, washers, and hex nuts.
3. Attach the drum cover to the 55-gallon drum.
4. Use latches to secure the cover to the drum, if equipped.
5. Connect the flexible hose between the drum cover and slide gate. Secure with hose clamps.

Without Slide Gate

1. Place the 1/4-in diameter rope-type sealant between the hopper flange and the adapter as shown.
2. Attach the adapter to the hopper flange using 3/8-16 bolts, washers, and hex nuts.
3. Attach the drum cover to the 55-gallon drum.
4. Use latches to secure the cover to the drum, if equipped.
5. Connect the flexible hose between the drum cover and the adapter. Secure with hose clamps.



55-Gallon Drum Pack with Slide Gate



55-Gallon Drum Pack without Slide Gate

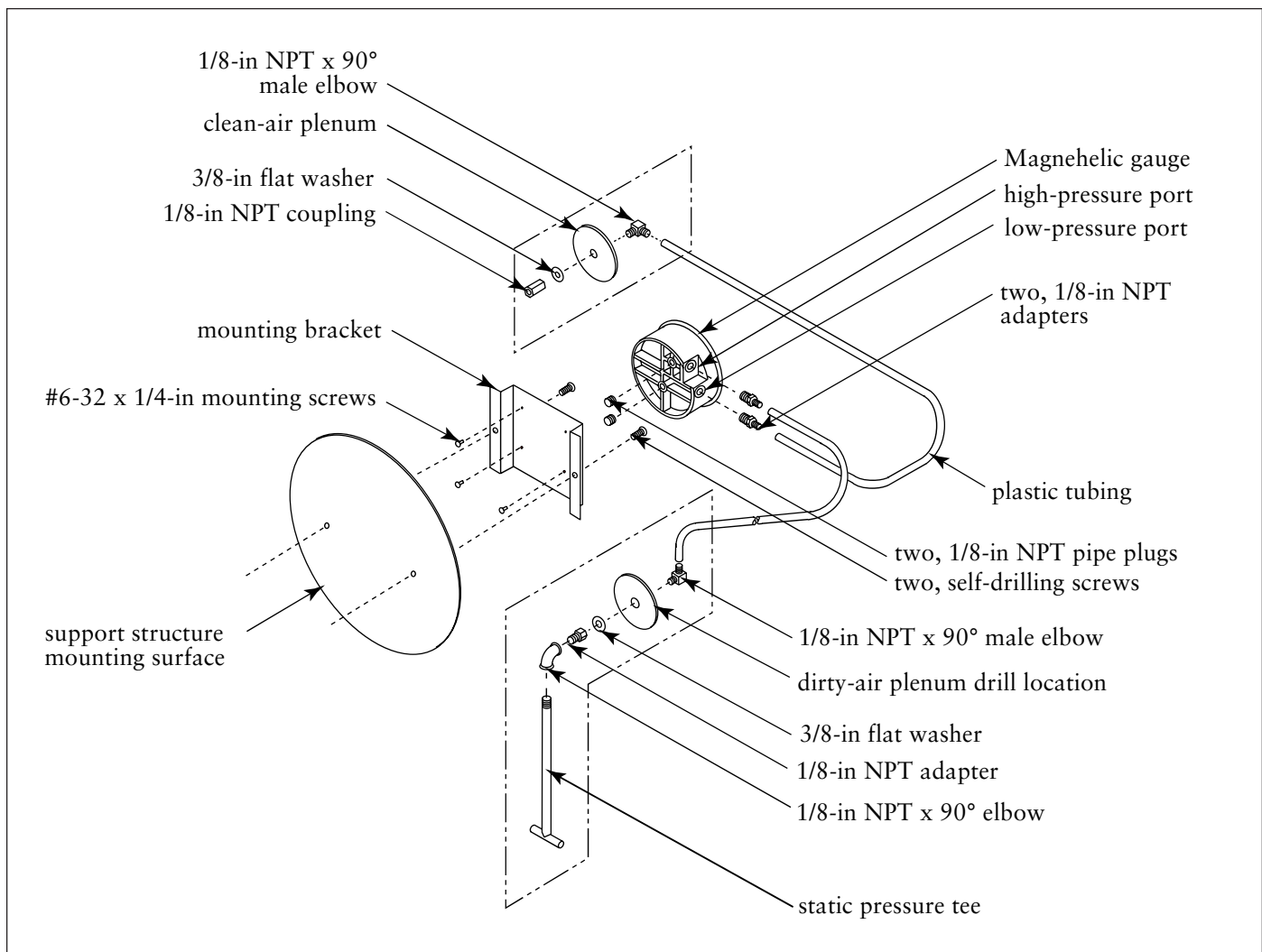
Magnehelic Gauge

The Magnehelic is a differential pressure gauge used to measure the pressure difference between the clean- and dirty-air chambers and provides a visual display of filter change requirements. The high-pressure tap is located in the dirty-air plenum and the low-pressure tap is located in the clean-air plenum.

1. Choose a convenient, accessible location on or near the unit for mounting that provides the best visual advantage.

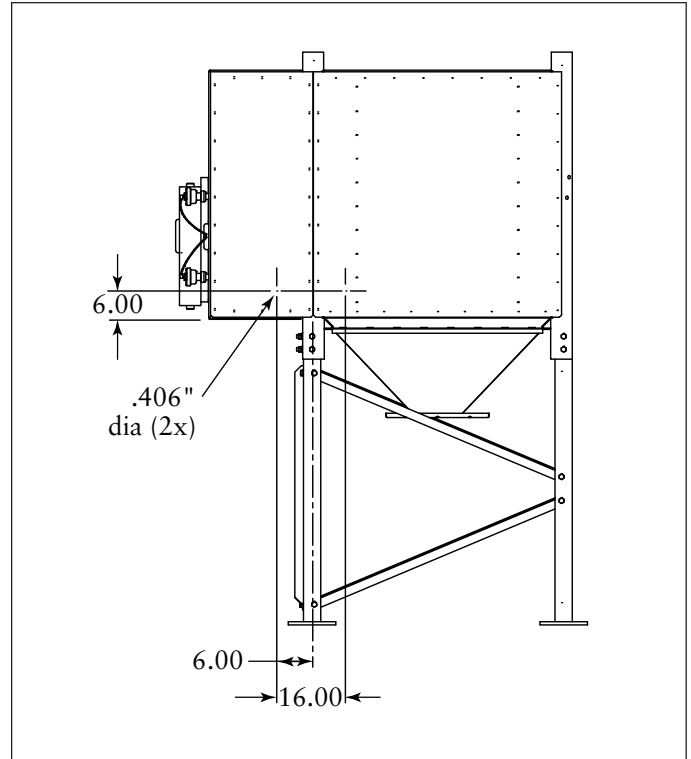
If unit is equipped with factory-installed pressure taps, skip to Step 5.

2. Before drilling, place a piece of non-combustible cloth over the filter opening in the clean-air plenum to protect them from drilling chips.
3. Place a piece of wood behind the drill location in the dirty-air plenum to protect the filters from damage by the drill bit. Use a .406-inch diameter bit to drill the holes as shown in Magnehelic Gauge, Detail A.
4. Mount the pressure tap hardware on the clean-air plenum panel. Mount the pressure tap with the tee inside the dirty-air plenum.



Magnehelic Gauge Installation

5. Plug the pressure ports on the back of the gauge using two, 1/8-in NPT pipe plugs supplied. Install two, 1/8-in NPT male adapters supplied with the gauge into the high- and low-pressure ports on the side of the gauge. Attach the mounting bracket using three, #6-32 x 1/4-in screws supplied.
6. Mount the gauge and bracket assembly to the supporting structure using two, self-drilling screws.
7. Thirty-five feet of plastic tubing is supplied and must be cut in two sections. Connect one section of tubing from the gauge's high-pressure port to the pressure fitting located in the dirty-air plenum. Connect remaining tubing from the gauge's low-pressure port to the fitting in the clean-air plenum. Additional tubing can be ordered from your representative.
8. Carefully remove the cloth protecting the filters. Close access doors and tighten securely by hand.
9. Zero and maintain the gauge as directed in the manufacturer's Operating and Maintenance Instructions provided.

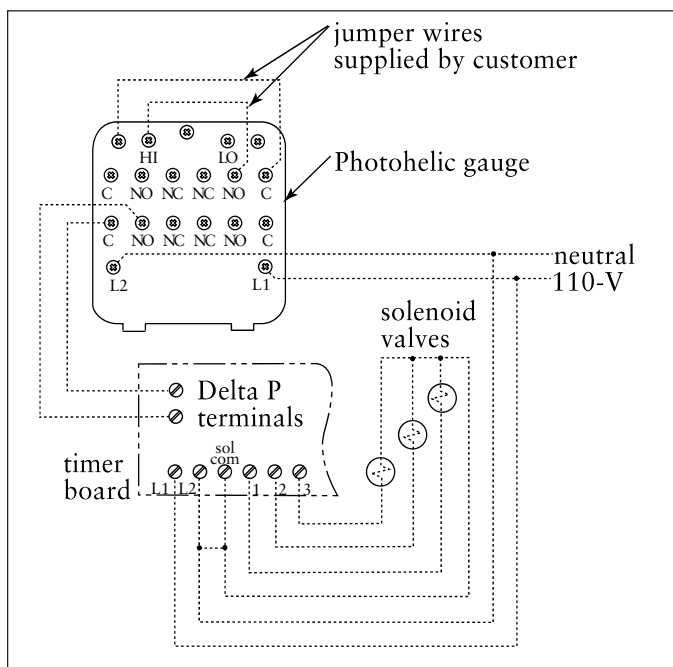


Magnehelic Gauge, Detail A

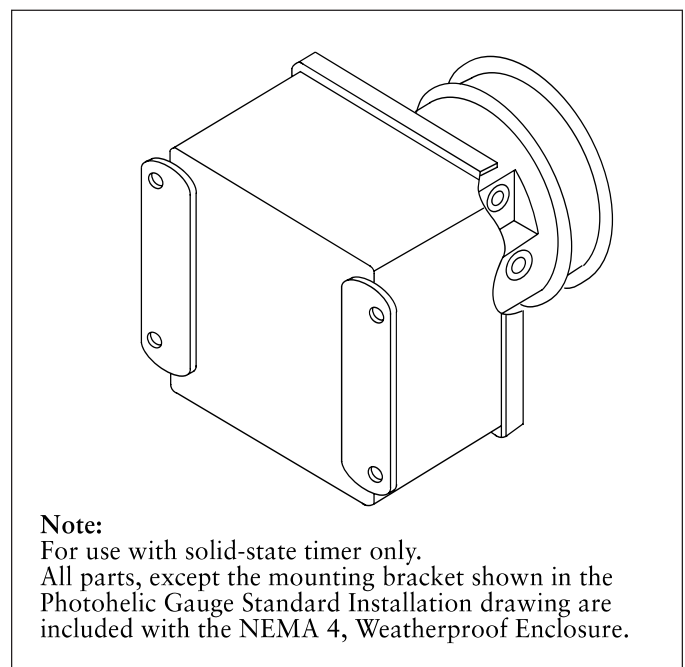
Photohelic Gauge

The Photohelic combines the functions of a differential pressure gauge and a pressure-based switch. The gauge function measures the pressure difference between the clean- and dirty-air chambers and provides a visual display of filter condition. The high-pressure tap is located in the dirty-air plenum and a low-pressure tap is located in the clean-air plenum. The pressure-based switch function provides high-pressure ON and low-pressure OFF control of the filter cleaning system.

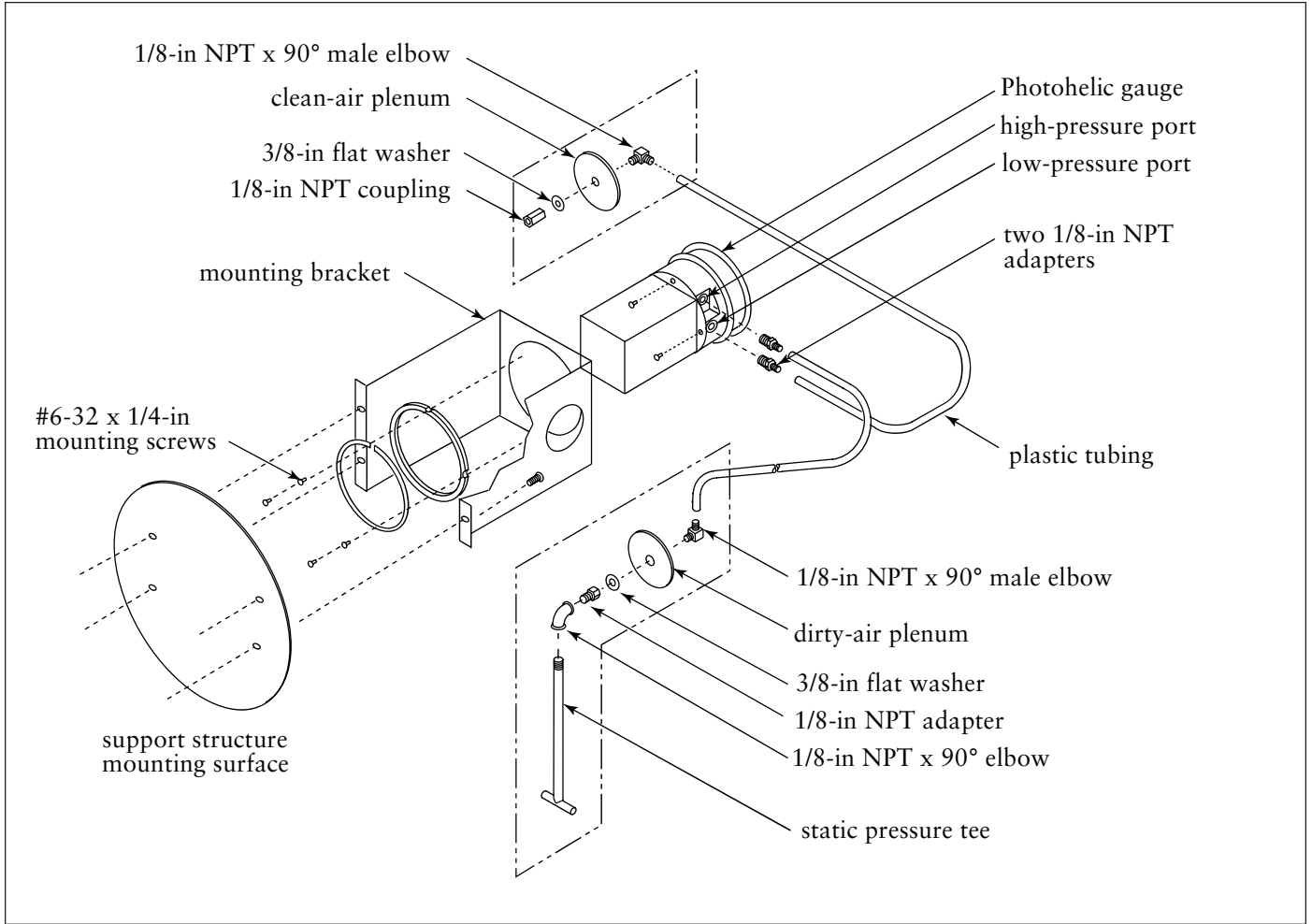
1. Choose a convenient, accessible location on or near the unit for mounting that provides the best visual advantage.
2. Mount the gauge to the remote panel or door using the mounting ring, retaining ring, and four #6-32 x 1 1/4-in screws. Do not tighten screws. Connect two, 1/8-in NPT x 1/4-in OD male adapters to the gauge's high- and low-pressure ports. Align the adapters to the 2.375-in hole in the right-hand side of the mounting bracket. Tighten screws.
3. On the back of the gauge, remove four #6-32 x 5/16-in screws and plastic enclosure. Set aside. Add two jumper wires supplied by customer. Remove the jumper from the pressure switch located on the timer board, if equipped. Using the 3/4-in conduit opening, wire the gauge as shown. Reassemble and fasten the enclosure securely.
4. Thirty-five feet of plastic tubing is supplied and must be cut in two sections. Connect one section of tubing from the gauge's high-pressure port to the pressure fitting located in the dirty-air plenum. Connect remaining tubing from the gauge's low-pressure port to the fitting in the clean-air plenum. Additional tubing can be ordered from your representative.
5. Zero and maintain the gauge as directed in the manufacturer's Operating and Maintenance Instructions provided.
6. To install the Photohelic Gauge mounted in a NEMA 4, Weatherproof Enclosure, follow Steps 4 and 5.



Photohelic Gauge Wiring Diagram



Photohelic Gauge in Optional NEMA 4 Weatherproof Enclosure



Photohelic Gauge Installation

Delta P Control

Description

The Delta P Control monitors the differential pressure between the clean and dirty air plenums, providing a visual display of the filter condition. When combined with a pulse timer, it controls the pressure drop by turning the cleaning mechanism On and Off at the chosen limits. There are three (3) set points: High Pressure On, Low Pressure Off, and Alarm. The first two, High Pressure On and Low Pressure Off, control the filter cleaning system. The third, Alarm, provides a relay output to activate an external alarm supplied by others.

Operation

Normal

The Delta P Control monitors the pressure in the clean and dirty air plenums while the unit is running. The blower draws air through the filters, creating a pressure drop. The Delta P control measures the pressure drop and provides a visual display in inches water gauge or metric (SI) units.

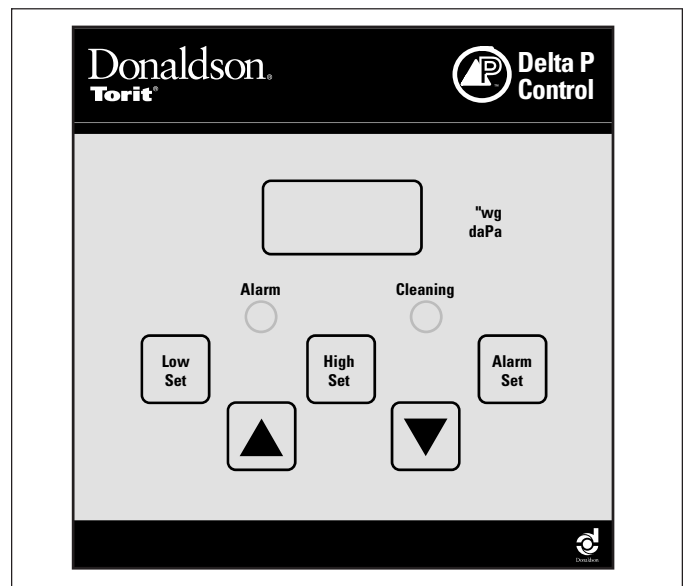
Filter Cleaning

When the pressure drop across the filter bags reach the control's High setpoint, the control closes an output relay allowing a timer to trigger the cleaning valves sequentially. When the control senses that the pressure drop has decreased to the Low setpoint, the relay opens and the cleaning cycle stops. This sequence continues as long as the collector is in use, maintaining the pressure drop within a narrow range.

Alarm

The alarm setpoint is set to a higher setting than used to start the filter cleaning cycle. It indicates situations when the cleaning system cannot reduce the pressure drop due to cleaning system failure, lack of compressed air, or the end of the filter's useful life. There is a time delay prior to setting the alarm to prevent nuisance trips. The Delta P Control also provides an input connection for a remote alarm reset.

For complete information, see the most current version of the Delta P Installation, Operation, and Maintenance manual.



Delta P Control Display

Delta P Plus Control

Description

The Delta P Plus Control monitors the differential pressure between the clean and dirty air plenums, providing a visual display of the filter condition. When combined with a pulse timer, it controls the pressure drop by turning the cleaning mechanism On and Off at the chosen limits. There are three (3) set points: High Pressure Drop On, Low Pressure Drop Off, and Alarm. The first two, High Pressure Drop On and Low Pressure Drop Off, control the filter cleaning system. The third, Alarm, provides a relay output to activate an external alarm supplied by others.

The user can program the Delta P Plus Control to pulse while the collector is running, to maintain a relatively constant pressure drop across the filters, pulse only after the collector is shut down (after-shift cleaning), or a combination of both, cleaning while running as well as end of the shift.

Operation

Normal

The Delta P Plus Control monitors the pressure on both sides of the tubesheet while the unit is running. The blower draws air through the filters, creating a pressure drop. The Delta P Plus Control measures the pressure drop and provides a visual display in inches water gauge or metric (SI) units.

Filter Cleaning

The Delta P Plus Control offers three filter cleaning options.

1. Differential Pressure Cleaning (DFF) - When the pressure drop across the filters reaches the control's High setpoint, the control closes an output relay allowing a sequential timer to trigger the cleaning valves. When the control senses that the pressure drop has decreased to the Low setpoint, the relay opens and the cleaning cycle stops. This sequence continues as long as the collector is in use, maintaining the pressure drop within a narrow range.
2. Down Time Cleaning (DTC) - The Delta P Plus Control monitors the collection system. It watches for the blower to start, the pressure

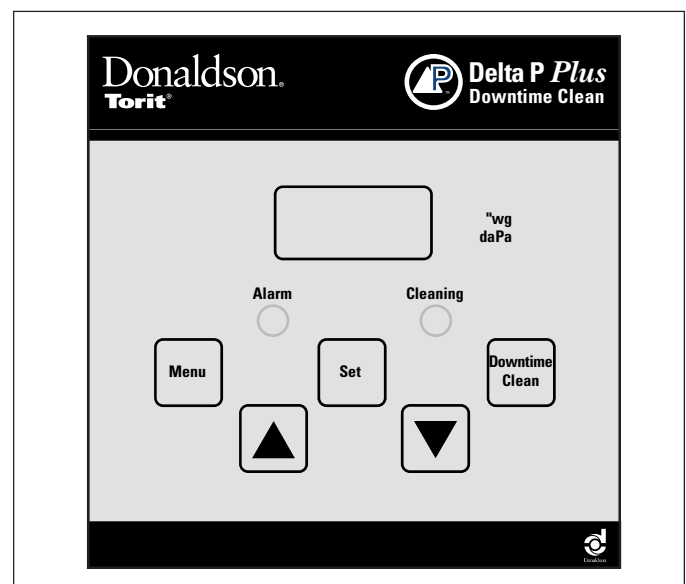
drop to exceed the Low setpoint, and then for the pressure drop to approach zero. After the blower has come to a stop, the Delta P Plus engages the cleaning mechanism for a pre-selected time.

3. Combined Differential and Down Time Cleaning (ALL) - The Delta P Plus Control combines the two functions described above; maintaining the pressure drop in a narrow band and down time cleaning the filters when the collector is shut down. The down time cleaning function can be toggled On or Off from the keyboard.

Alarm

The alarm setpoint is set to a higher setting than used to start the filter cleaning cycle. It indicates situations when the cleaning system cannot reduce the pressure drop due to cleaning system failure, lack of compressed air, or the end of the filter's useful life. There is a time delay prior to setting the alarm to prevent nuisance trips. The Delta P Plus Control also provides an input connection for a remote alarm reset.

For complete information, see the most current version of the Delta P Plus Installation, Operation, and Maintenance manual.



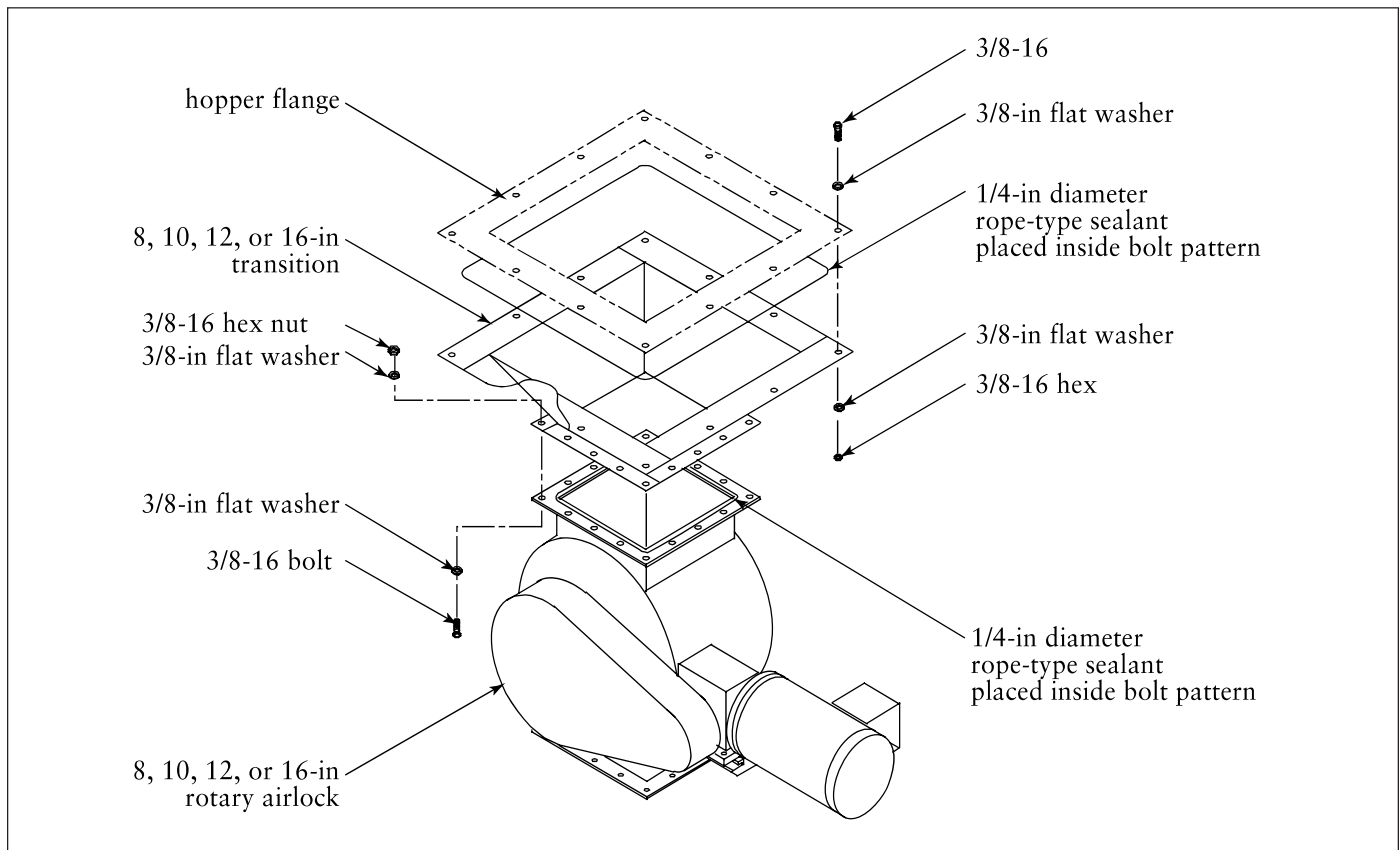
Delta P Plus Control Display

Transition and Rotary Valve

The 7-in tall transition is designed to connect a standard hopper and a rotary valve. Rotary valves are used as an airlock and a metering device in dust control applications. When used as an airlock, an airtight seal between the valve's inlet and outlet is maintained while allowing dust or material to pass through. Comparatively, the airlock works along the same line as a revolving door on a building; an airtight seal is maintained while people are allowed to pass through.

When used as a metering device, the valve allows a specific amount of material to pass per revolution, depending on the size and speed of the valve. Sizing is determined at time of order and based on product load. Standard sizes include 8, 10, 12, and 16-in inlets.

1. Place 1/4-in diameter rope-type sealant to the inside of the transition's bolt pattern.
2. Use 3/8-16 bolts, washers, and hex nuts to fasten transition to hopper.
3. Determine the proper position required for the rotary airlock. Allow clearance for electrical connections and future maintenance.
4. Place a 1/4-in diameter rope-type sealant toward the inside edge of the airlock's top flange.
5. Fasten the airlock to the transition flange using 3/8-16 bolts, washers, and hex nuts.
6. Electrical connections must be made by a qualified electrician. Refer to the motor's nameplate for voltage, amp rating, cycle, and wiring sequence.



Transition and Rotary Valve Assembly

Damper and Silencer, TBI

Side and Top Mount

1. Install the power pack as described in Power Pack.
2. Attach the damper to the fan exhaust outlet using the bolts, washers, and hex nuts supplied.
3. Attach the flange to the damper using the bolts, washers, and hex nuts supplied.
4. Apply sealant to the flange and attach silencer to flange. Tighten all hardware.
5. Loosely assemble the silencer's support brackets.

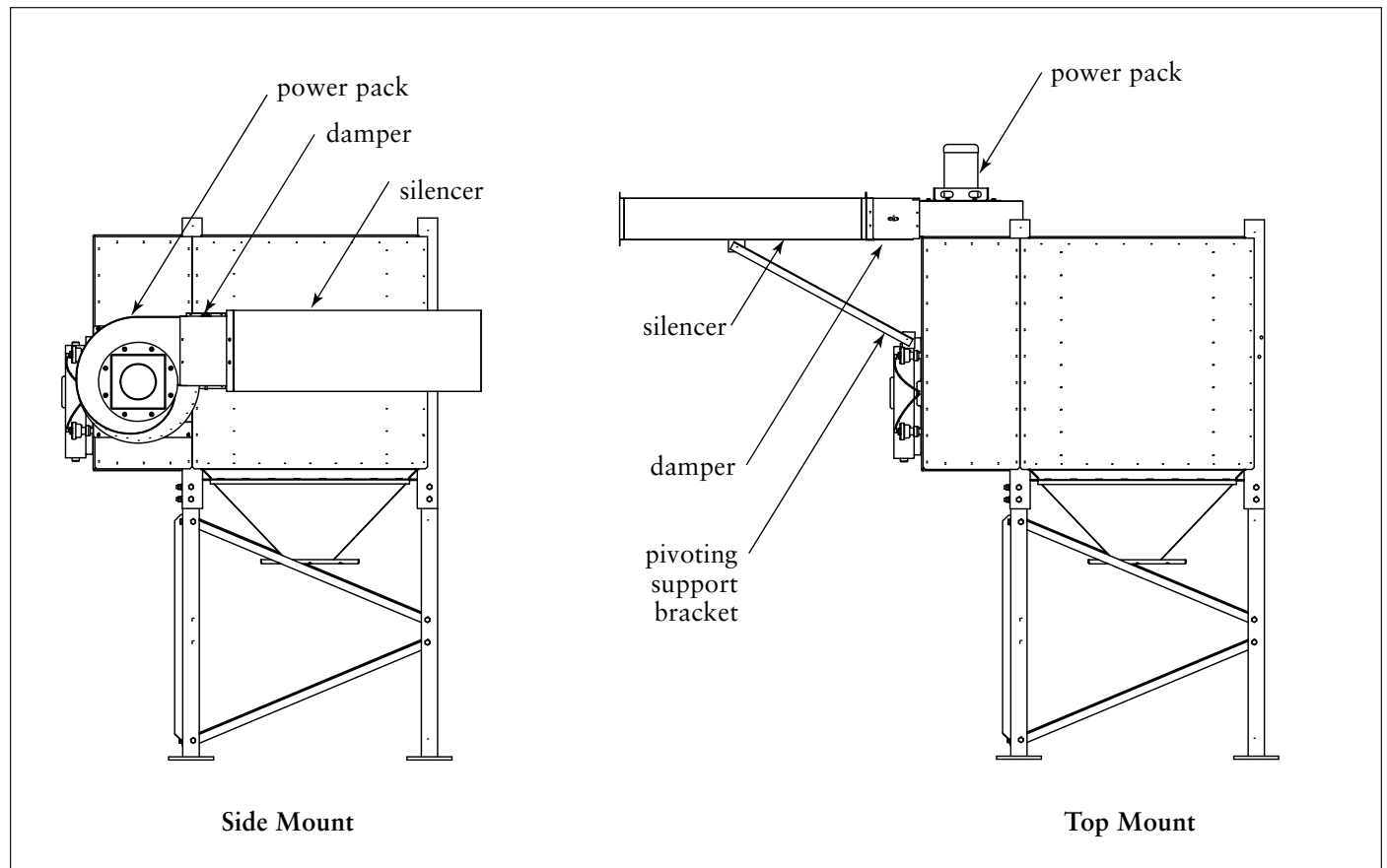
Support Brackets, Top Mount

- a. Align the pivoting support brackets to extend a minimum of 30-inches from the collector and mark the drill locations.
- b. Drill pilot holes with a 0.339-inch bit.

- c. Secure brackets using 3/8-in thread-forming bolts.
- d. If a gap exists between the silencer and the damper, install the panel filler using the screws provided.

Support Brackets, Side Mount

- a. Align the support bracket to the underside of the silencer, flush with the cabinet wall, and mark the drill locations.
 - b. Drill pilot holes with a 0.339-inch bit.
 - c. Secure brackets using 3/8-in thread-forming bolts.
6. Loosen the wing nut on the damper and adjust to approximately 50% closed.

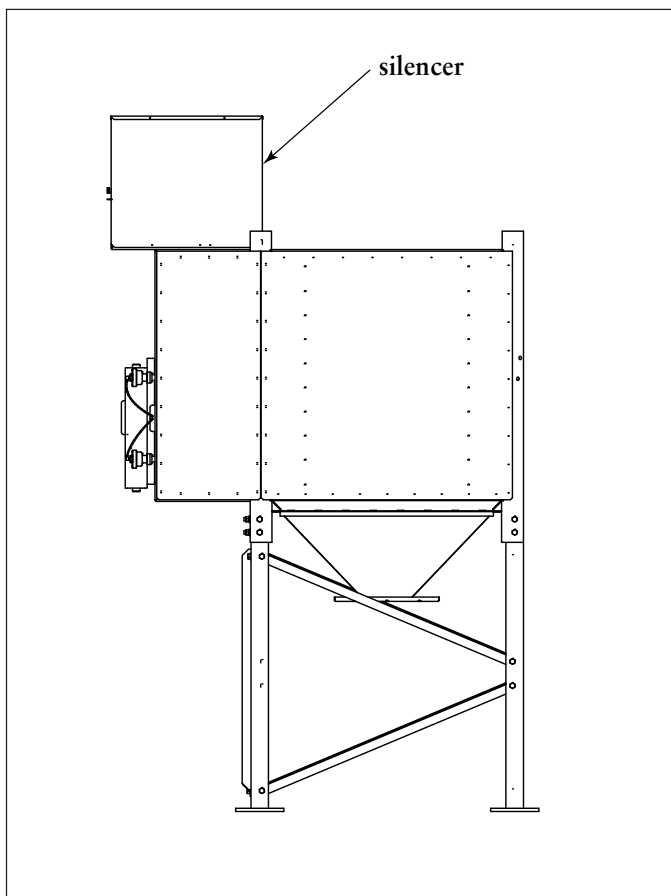


Side and Top-Mount Silencer and Damper Installation

Plenum Silencer, TRB

Top Mount

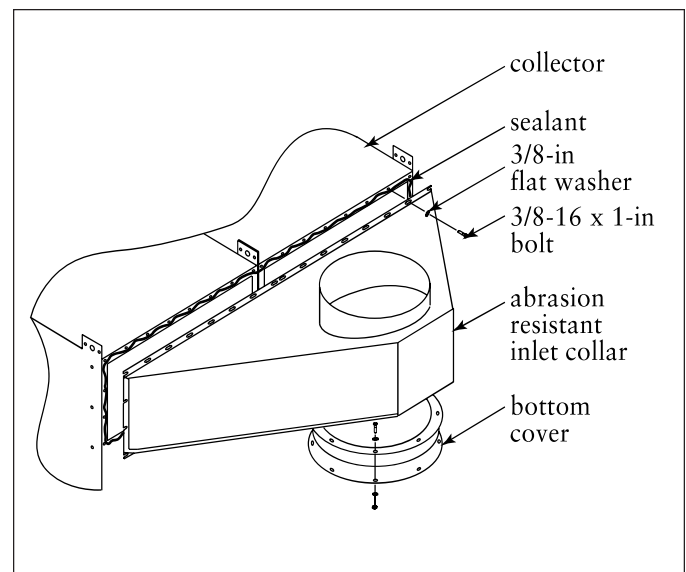
1. Apply sealant and attach the bottom panel to the collector as described on the assembly drawing shipped with the silencer. Use a combination of hardware removed from the unit and hardware supplied.
2. Install the fan and motor assembly as described in the Power Pack section and the assembly drawing.
3. Route rigid or flexible conduit from the junction box on the motor to the outside wall of the silencer to house wiring.
4. Install the top of the silencer and attach the silencer to the base using the supplied hardware.
5. Loosen the wing nut on the damper and adjust to approximately 50% closed.



Top-Mount Silencer and Damper Installation

Abrasion-Resistant Inlet Collar

1. Remove the unit's front cover plate. Remove excess sealant from opening.
2. Apply 1/4-in diameter rope-type sealant around the opening toward the inside edge of the bolt pattern.
3. Align the holes on the inlet collar with the holes in the unit and secure using 3/8-16 x 1-in bolts and flat washers supplied.



Abrasion-Resistant Inlet Collar

Platforms and Ladders

Stationary platforms are available for use on single to eleven module, two filter wide units and three module, three filter wide units.

For two filter wide units the platform is available for standard or steep-sided hoppers with the ladder located left, right, or front of the platform.

On three filter wide units the platform is available for standard hoppers only with ladder access on the left or right side only. Complete installation and assembly instructions are shipped with the platform.

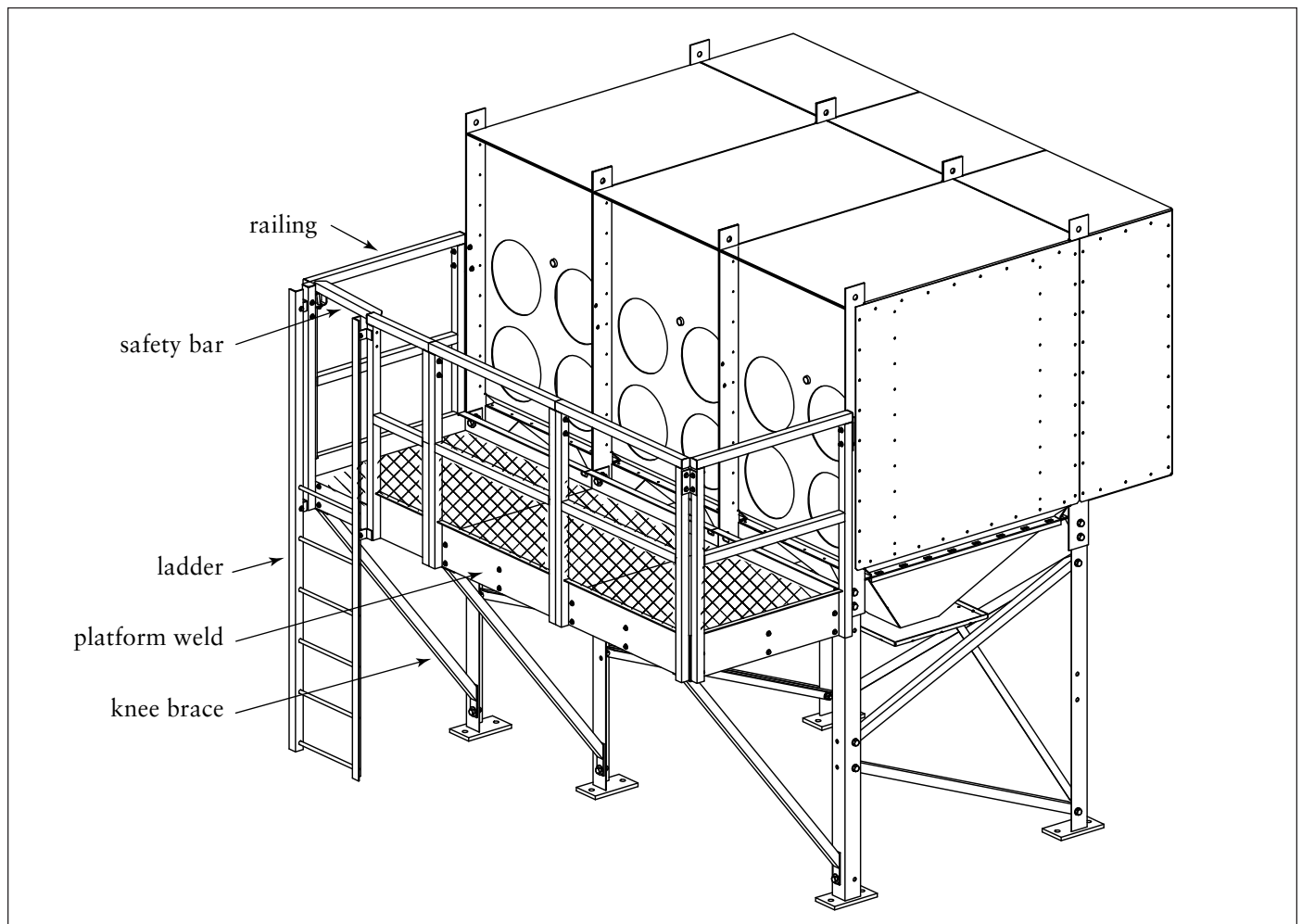


CAUTION!

Secure the platform assembly to the crane or forklift with straps or clamps.

Stationary Platform

1. Pre-assemble the platform according to the instructions shipped with the platform. The hardware and placement is called out on the assembly drawing.
2. Lift the assembled platform into position and secure following the assembly drawing instructions.
3. Tighten all hardware before removing crane or forklift.
4. Check platform hardware each time the platform is used.



Stationary Platform

Cold Climate Kit

A cold climate kit provides heat to the pulse valves to prevent cold weather freeze up. The basic kit, for use in applications that have a moderate amount of moisture in the compressed-air supply, consists of a small heating element and thermostat installed in the solenoid enclosure. The basic kit is factory-installed and supplied with the appropriate solenoid wiring instructions.

A heavy-duty kit is available for applications that have moderate-to-high amounts of moisture in the compressed-air supply and consists of the basic kit plus a heat cable to deliver heat to the large pulse valves. This kit is customer-installed and detailed installation instructions are provided.

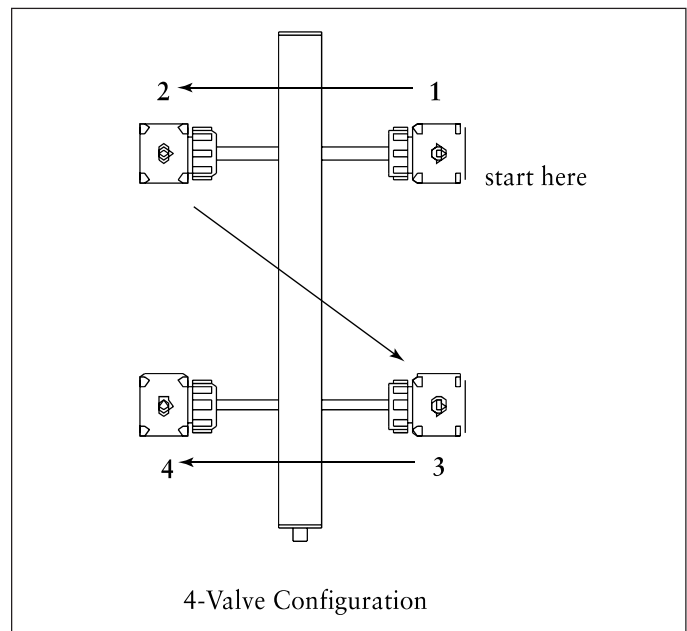
1. Install the power connection kit on the heat cable following the manufacturer's instructions.
2. Start with the upper right-hand valve, wrap heat cable around the valve as shown in Detail A. Pull heat cable tight.

Note: Double wrap between round coupling and square valve cover.

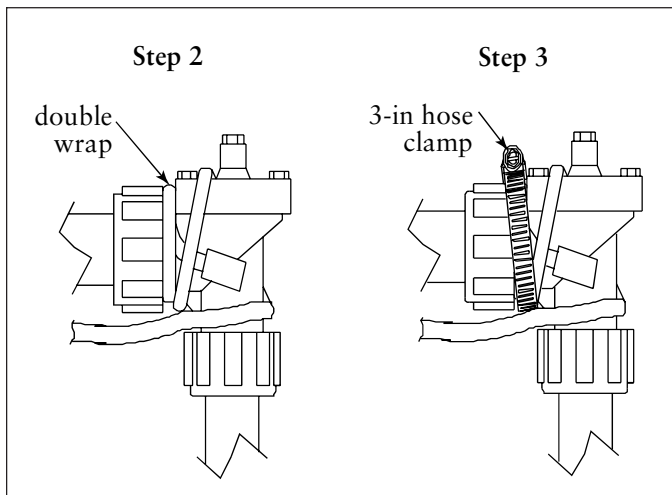
3. Position a 3-in hose clamp around the double wrapped heat cable and tighten securely.
4. Wrap remaining valves using the same technique in the order shown in Detail B.
5. Drill a 1-in diameter hole in the back of the junction box. See Detail C. Assemble the power

connection kit following the manufacturer's instructions.

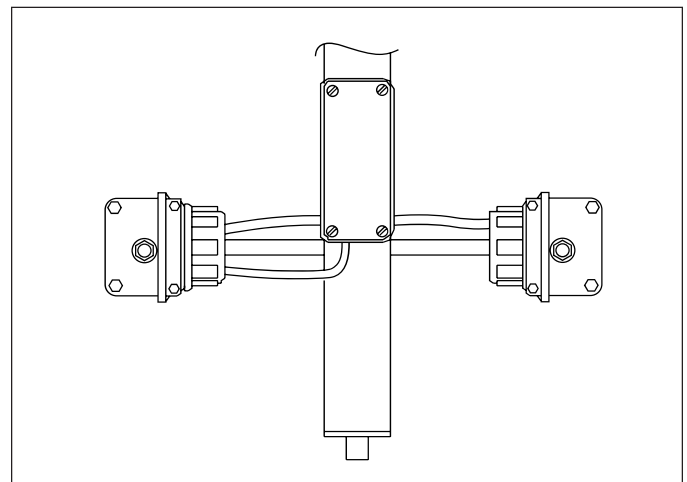
6. Secure junction box to manifold using two 8-in hose clamps wrapped around the standoff.
7. Wrap 6-ft of pipe insulation tape around each heat-cable wrapped valve. Wrap the entire valve, double wrapping the hose-clamped heat cable. Secure with cable ties.



Cold Climate Kit, Detail B



Cold Climate Kit, Detail A



Cold Climate Kit, Detail C

Explosion Vents



CAUTION!

- Personal injury, death, or property damage can result from material discharge during venting.
- The material discharged from an enclosure during the venting of an explosion should be directed safely to an outside location.
- The risk of damage or injury can be minimized or avoided by locating vented equipment outside buildings and away from normally occupied areas.
- Standard explosion vents are intended for outdoor installations only.

Note: Remove all shipping materials, including covers, from the explosion relief vents prior to installation. Failure to remove shipping covers will seriously compromise explosion vent operation.

Explosion relief vents must be safely directed outdoors away from personnel, buildings, property, offices, walkways, and catwalks to reduce risk of damage to property and personal injury. Explosion venting calculations are based on formulas from NFPA-68, for outdoor applications only, with no duct or obstructions on the explosion vent panel.

Explosion vents are suitable for negative pressure installations only.

Contact Donaldson Torit for assistance in calculating safe and specific venting requirements for equipment.

Sprinkler Installation



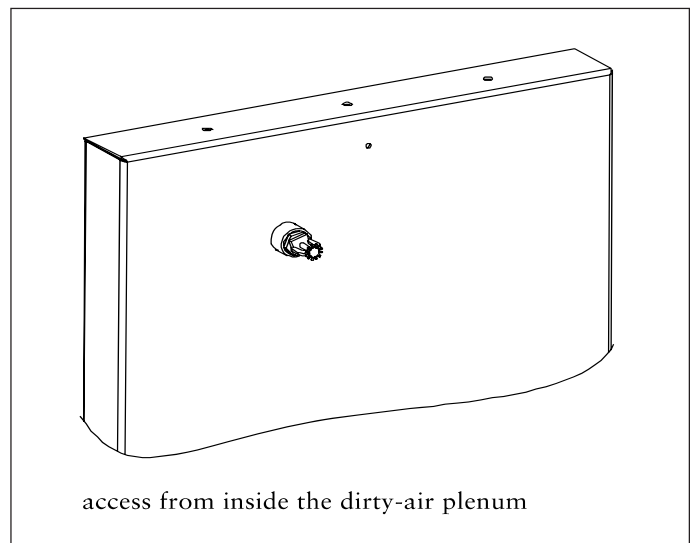
CAUTION!

Sprinkler systems place a large quantity of water in the dust collector when activated. Provide adequate drainage to remove water. Excess water weight can cause the leg structure to collapse.

Optional fire control sprinklers are available for all models operating under negative pressure. Donaldson Torit supplied sprinklers require a minimum of 15-psig water pressure to each module. The volume of water discharged per sprinkler head is 17 gallons per minute.

Note: Consult with local authorities when installing fire control systems on dust collection equipment.

1. Remove the top filter access doors and filters to access the sprinkler taps located in the dirty-air plenum.
2. Apply pipe sealant to the threads of the pipe reducer located on the sprinkler assembly.
3. Thread sprinkler assembly onto the 1-in diameter sprinkler tap.
4. Tighten securely.



Sprinkler Installation

Troubleshooting

| Problem | Probable Cause | Remedy |
|--|---|--|
| Blower fan and motor do not start | Improper motor wire size | Rewire using the correct wire gauge as specified by national and local codes. |
| | Not wired correctly | Check and correct motor wiring for supply voltage. See motor manufacturer's wiring diagram. Follow wiring diagram and the National Electric Code. |
| | Unit not wired for available voltage | Correct wiring for proper supply voltage. |
| | Input circuit down | Check power supply to motor circuit on all leads. |
| | Electrical supply circuit down | Check power supply circuit for proper voltage. Check for fuse or circuit breaker fault. Replace as necessary. |
| Blower fan and motor start, but do not stay running | Incorrect motor-starter installed | Check for proper motor starter and replace if necessary. |
| | Access doors are open or not closed tight | Close and tighten access doors. See Filter Installation. |
| | Hopper discharge open | Install slide gate or drum cover arrangement to hopper discharge. See Hopper Installation. |
| | Blower fan damper control not adjusted properly | Check airflow in duct. Adjust damper control until proper airflow is achieved and the blower-motor's amp draw is within the manufacturer's rated amps. |
| | Electrical circuit overload | Check that the power supply circuit has sufficient power to run all equipment. |
| Clean-air outlet discharging dust | Filter cartridges not installed correctly | See Filter Installation. |
| | Filter cartridge damage, dents in the end caps, gasket damage or holes in pleated media | Replace filters as necessary. Use only genuine Donaldson replacement parts. See Filter Installation. |
| | Access cover(s) loose | Tighten access doors securely. See Filter Installation. |
| Insufficient airflow | Fan rotation backwards | Proper fan rotation is clockwise when looking down at the blower motor. See Preliminary Start-Up Check. |

| Problem | Probable Cause | Remedy |
|--|---|--|
| Insufficient airflow continued | Access doors open or not closed tight | Check that all access doors are in place and secured. Check that the hopper discharge opening is sealed and that optional attachments are installed correctly. See Hopper Installation. |
| | Fan exhaust area restricted | Check fan exhaust area for obstructions. Remove material or debris. Adjust damper flow control. |
| | Filter cartridges need replacement | Remove and replace using genuine Donaldson replacement filters. See Filter Installation. |
| | Lack of compressed air | Check that a minimum of 90-psig is available. See Compressed Air Installation. |
| | Pulse cleaning not energized | Use a voltmeter to check supply voltage to the timer board. Check and replace the fuse on the timer board if necessary. See Solid-State Timer Installation. |
| | Dust storage area overfilled or plugged | Clean out dust storage area. See Dust Disposal. |
| | Pulse valves leaking compressed air | Lock out all electrical power to the unit and bleed the compressed-air supply. Check for debris, valve wear, or diaphragm failure by removing the diaphragm cover on the pulse valves. Check for solenoid leaks or damage. If pulse valves or solenoid valves and tubing are damaged, replace. |
| | Solid-State Timer failure | Using a voltmeter, check supply voltage to the timer board. Check and replace the fuse on the timer board if necessary. If the fuse is good and input power is present, but output voltage to the solenoid valves is not, replace the timer board. See Solid-State Timer Installation. |
| | Solid-State Timer out of adjustment | See Solid-State Timer and Solid-State Timer Wiring Diagram. |
| No display on the Delta P control | No power to the control | Use a voltmeter to check for voltage at Terminal TB1. |
| | Fuse blown | Check the fuse in the F1 fuse tower. Replace if necessary. |

Troubleshooting

| Problem | Probable Cause | Remedy |
|--|---|--|
| Display on Delta P control does not read zero when at rest | Out of calibration | Disconnect pressure tubing. See Delta P Control. |
| | With collector discharging outside, differential pressure is present from indoor to outdoor | Recalibrate with the pressure tubing attached as described in the Delta P Control section. |
| Delta P control ON, but cleaning system does not start | Not wired to the timing board correctly | Connect the pressure switch on the timer board to Terminals 7 and 8 on TB3. |
| | Faulty relay | Using a multimeter, test relay for proper closure. Replace if necessary. |
| | Pressure tubing disconnected, ruptured, or plugged | Check tubing for kinks, breaks, contamination, or loose connections. |
| Pulse-cleaning never stops | Pressure switch terminals on the timer board jumpered | Remove jumper wire on solid-state timer board before wiring to the Delta P control. |
| | Pressure switch not wired to the timer board correctly | Connect the pressure switch on the timer board to Terminals 7 and 8 on TB3. |
| | High or low setpoint not adjusted for system conditions | Adjust setpoints to current conditions. |
| | Pressure tubing disconnected, ruptured, or plugged | Check tubing for kinks, breaks, contamination, or loose connections. |
| Alarm light is ON | Alarm setpoint too low | Adjust to a higher value. |
| | Excess pressure drop | Check cleaning system and compressed-air supply. Replace filter cartridges if filters do not clean down. |
| | Pressure tubing disconnected, ruptured or plugged | Check tubing for breaks, contamination, or loose connections. |
| Delta P arrow keys do not work | Improper operation | Press and hold one of the three setpoint keys to use arrow keys. |
| | Programming keys disabled | Remove the Program Disable jumper from Terminals 3 and 4 on TB2. |

| Problem | Probable Cause | Remedy |
|---|-------------------------|--|
| Cleaning light is ON, but cleaning system not functioning | Improper wiring | Check wiring between the Delta P Control and the timer board, and between the timer board and solenoid valve coils. |
| | Defective solenoids | Check all solenoid coils for proper operation. |
| | Timer board not powered | Check power ON light on timer board's LED display. If not illuminated, check the supply voltage to the timer board. Check the fuse on the timer board. Replace if necessary. |
| | Timer board defective | If LED is illuminated, observe the output display. Install a temporary jumper across the pressure switch terminals. Output levels should flash in sequence. Check output using a multimeter set to 150-Volt AC range. Measure from SOL COM to a solenoid output. The needle will deflect when LED flashes for that output if voltage is present. If LED's do not flash, or if no voltage is present at output terminals during flash, replace the board. |

The Donaldson Torit Warranty

Donaldson warrants to the original purchaser that the major structural components of the goods will be free from defects in materials and workmanship for ten (10) years from the date of shipment, if properly installed, maintained and operated under normal conditions. Donaldson warrants all other Donaldson built components and accessories including Donaldson Airlocks, TBI Fans, TRB Fans, Fume Collector products, Donaldson built electrical control components and Donaldson built Afterfilter housings for twelve (12) months from date of shipment. Donaldson warrants Donaldson built filter elements to be free from defects in materials and workmanship for eighteen (18) months from date of shipment. Donaldson does not warrant against damages due to corrosion, abrasion, normal wear and tear, product modification, or product misapplication. Donaldson also makes no warranty whatsoever as to any goods manufactured or supplied by others including electric motors, fans and control components. After Donaldson has been given adequate opportunity to remedy any defects in material or workmanship, Donaldson retains the sole option to accept return of the goods, with freight paid by the purchaser, and to refund the purchase price for the goods after confirming the goods are returned undamaged and in usable condition. Such a refund will be in the full extent of Donaldson's liability. Donaldson shall not be liable for any other costs, expenses or damages whether direct, indirect, special, incidental, consequential or otherwise. The terms of this warranty may be modified only by a special warranty document signed by a Director, General Manager or Vice President of Donaldson. Failure to use genuine Donaldson replacement parts may void this warranty. THERE EXIST NO OTHER REPRESENTATIONS, WARRANTIES OR GUARANTEES EXCEPT AS STATED IN THIS PARAGRAPH AND ALL OTHER WARRANTIES INCLUDING MERCHANTABILITY AND FITNESS FOR A PARTICULAR PURPOSE, WHETHER EXPRESS OR IMPLIED ARE HEREBY EXPRESSLY EXCLUDED AND DISCLAIMED.

Parts and Service

astgroup.ca



AST GROUP
OF COMPANIES

905-821-8860

